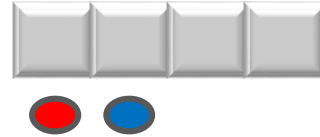
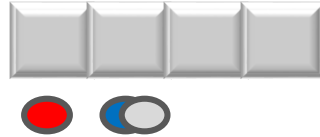


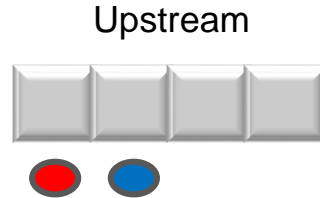
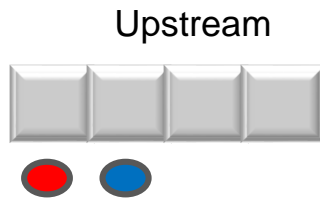
Downstream

Upstream

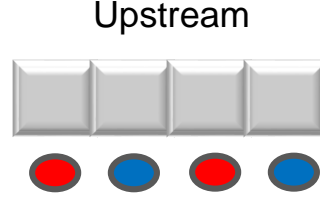
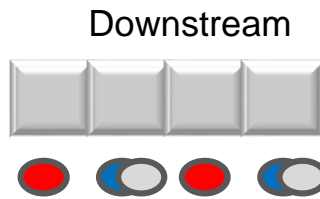
Mode1: x16 Base mode



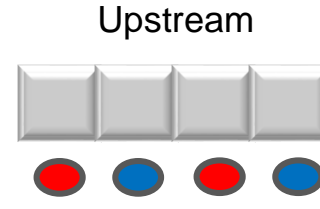
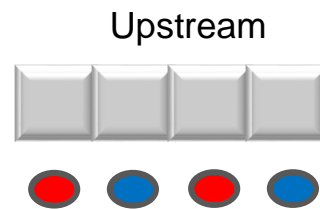
Mode2: x16 Two VR






Mode3: x8 Two VR



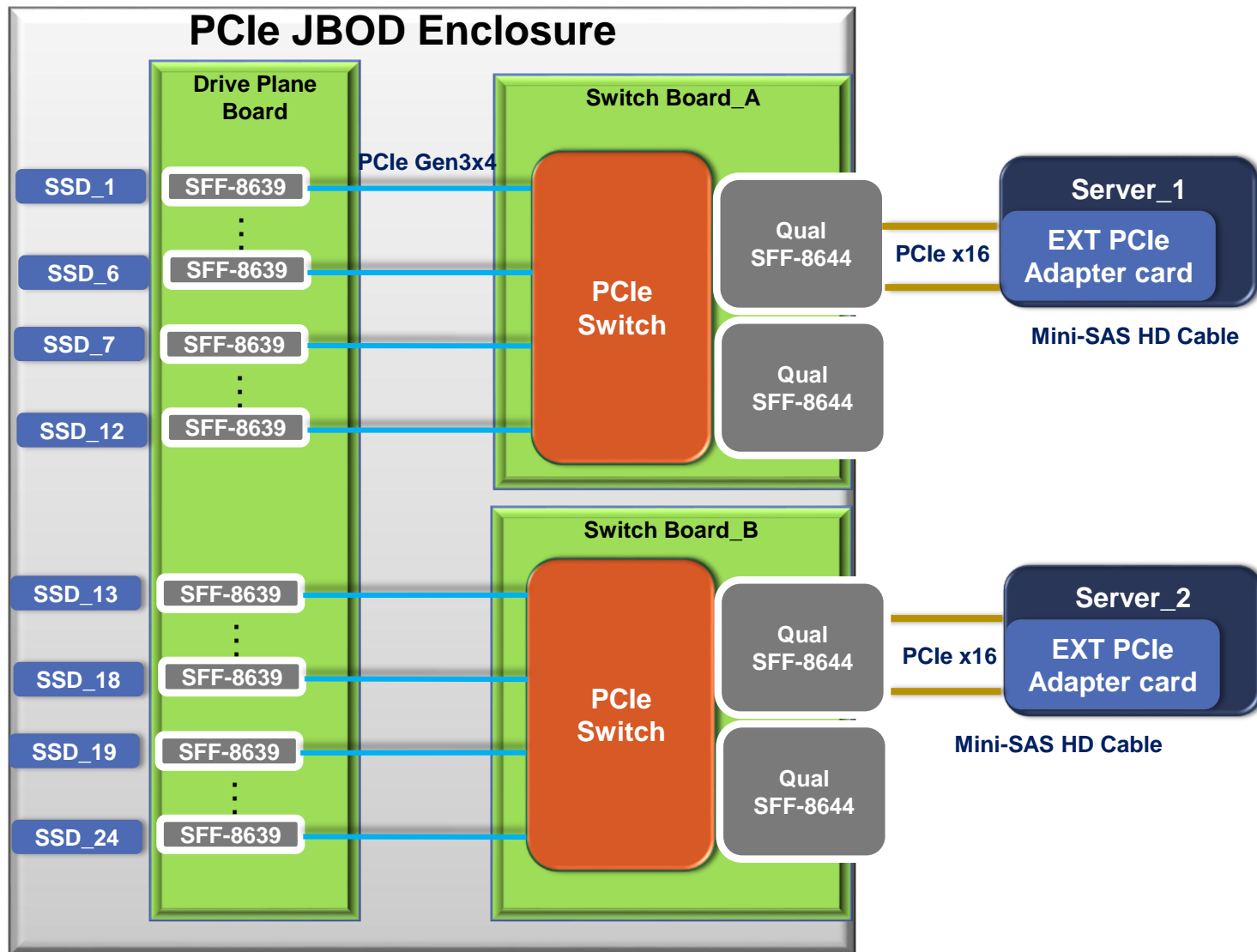
Mode3: x8 Four VR



-  Indication as upstream port
-  Indication as downstream port
-  Indication as link failure

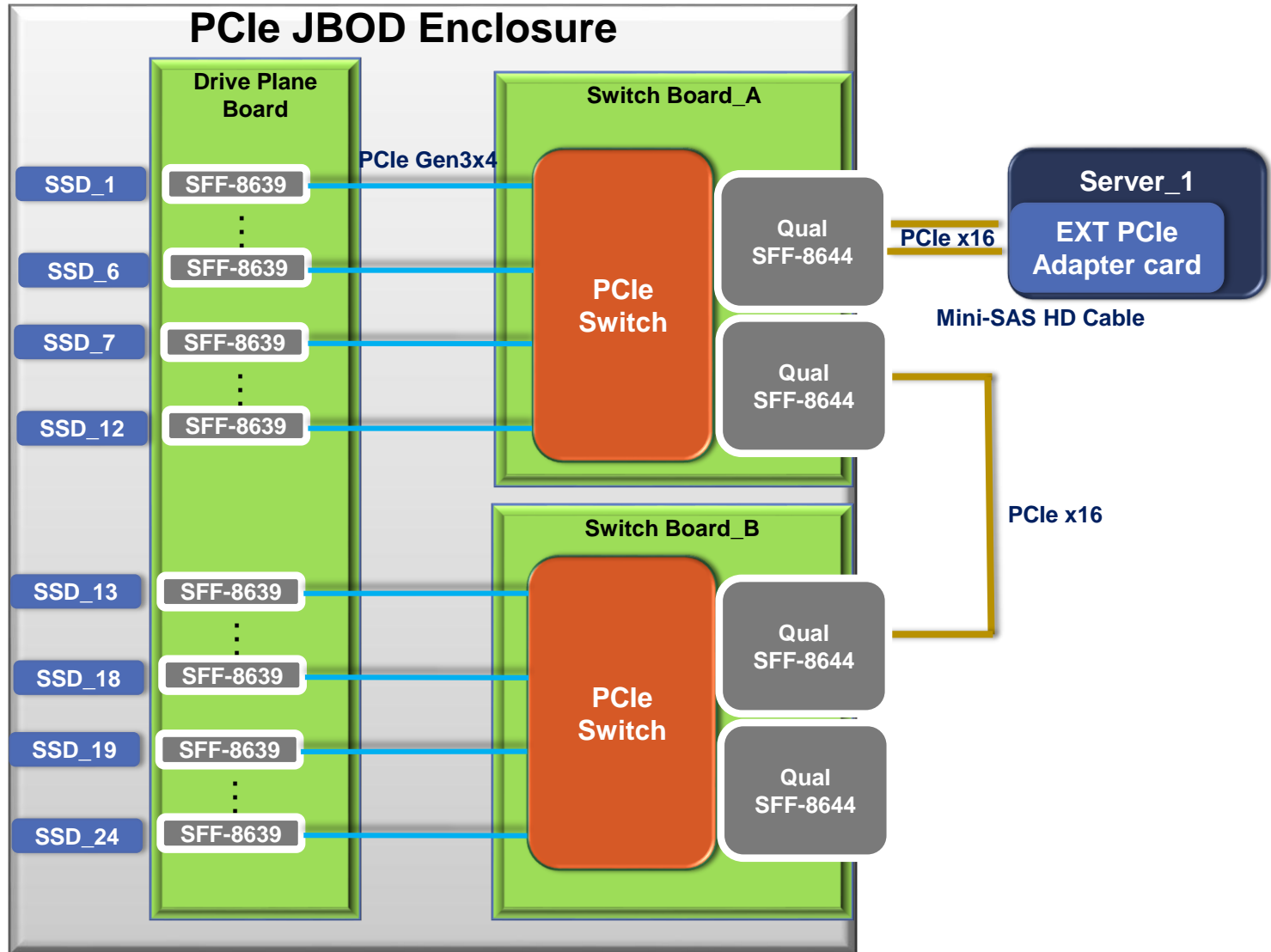
# Mode1:Base Mode

Allow two Servers connect to NVMe JBOD, one server with PCIe Gen3 x16 bandwidth to 12 PCIe SSD



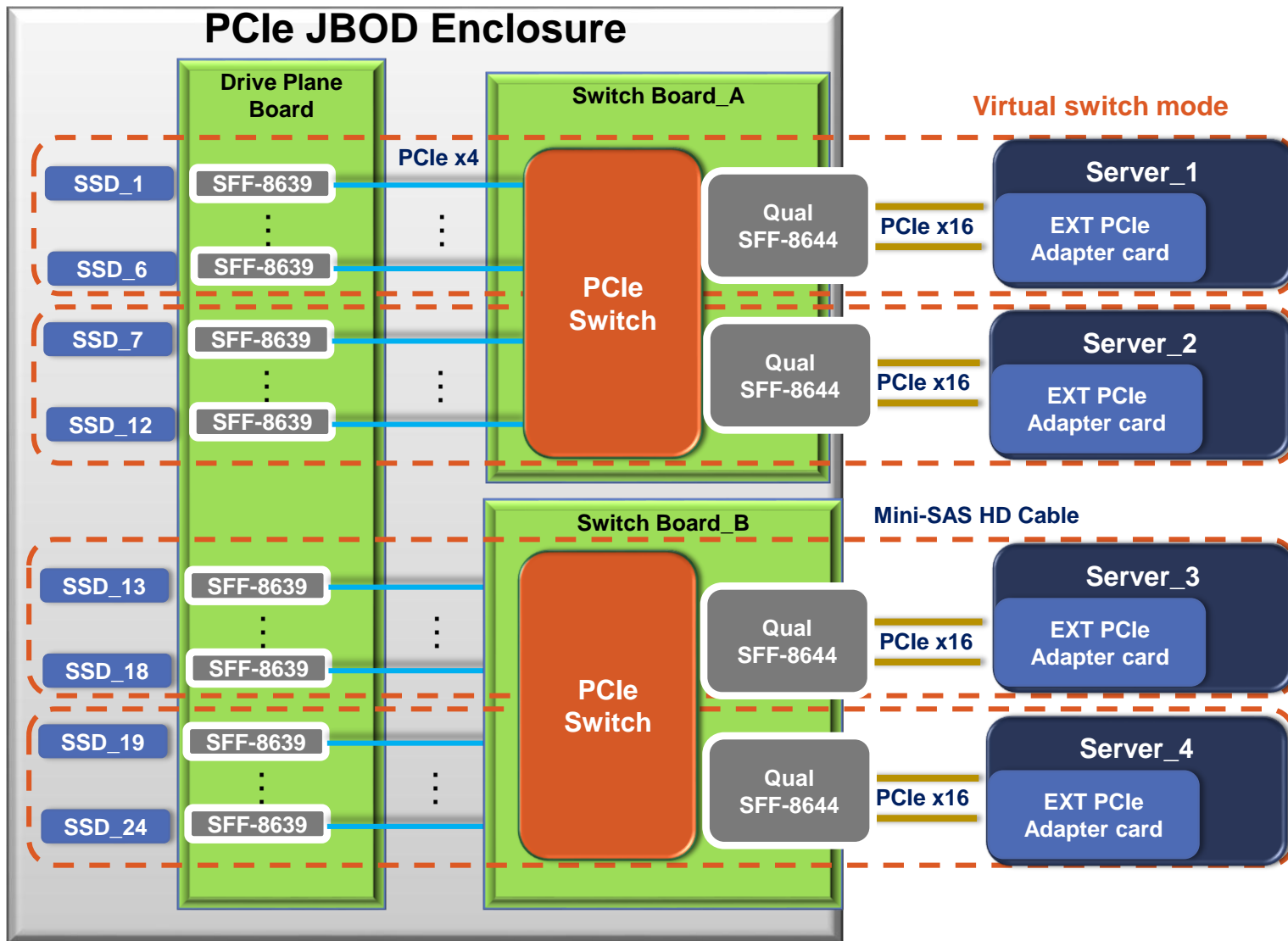
# Mode1:Base Mode with cascade

Allow one Server connect to NVMe JBOD then cascade to another one, one server with PCIe Gen3 x16 bandwidth to 24 PCIe SSD



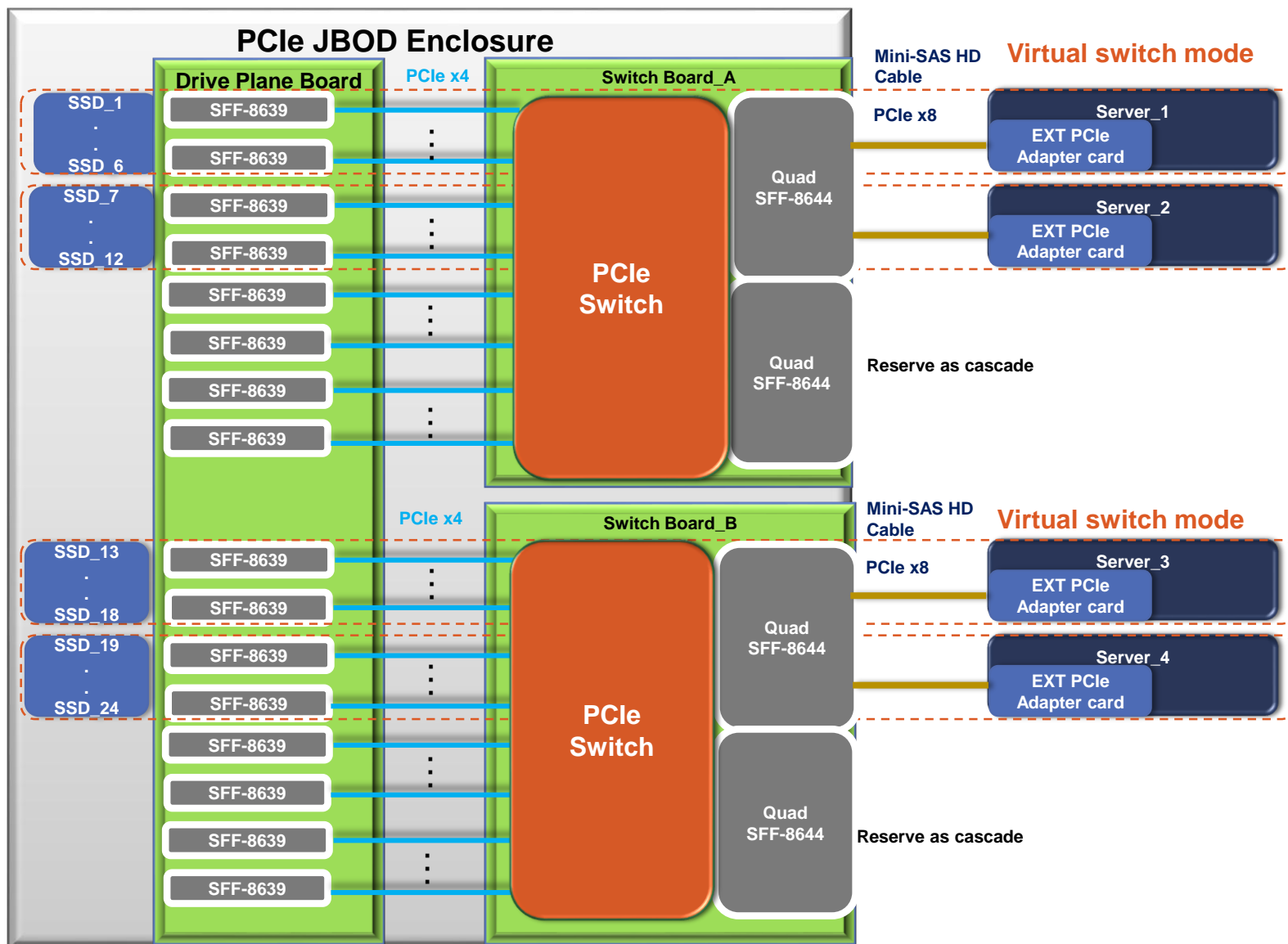
# Mode2: Two Virtual switches x16

Allow four Servers connect to NVMe JBOD, one server with PCIe Gen3 x16 bandwidth to 6 PCIe SSD



# Mode3: Two Virtual switches x8

Allow Four Servers connect to NVMe JBOD, one server with PCIe Gen3 x8 bandwidth to 6 PCIe SSD



# Mode4: Four Virtual switches x8

Allow Eight Servers connect to NVMe JBOD, one server with PCIe Gen3 x8 bandwidth to 3 PCIe SSD

