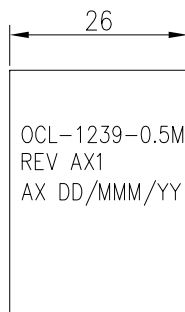
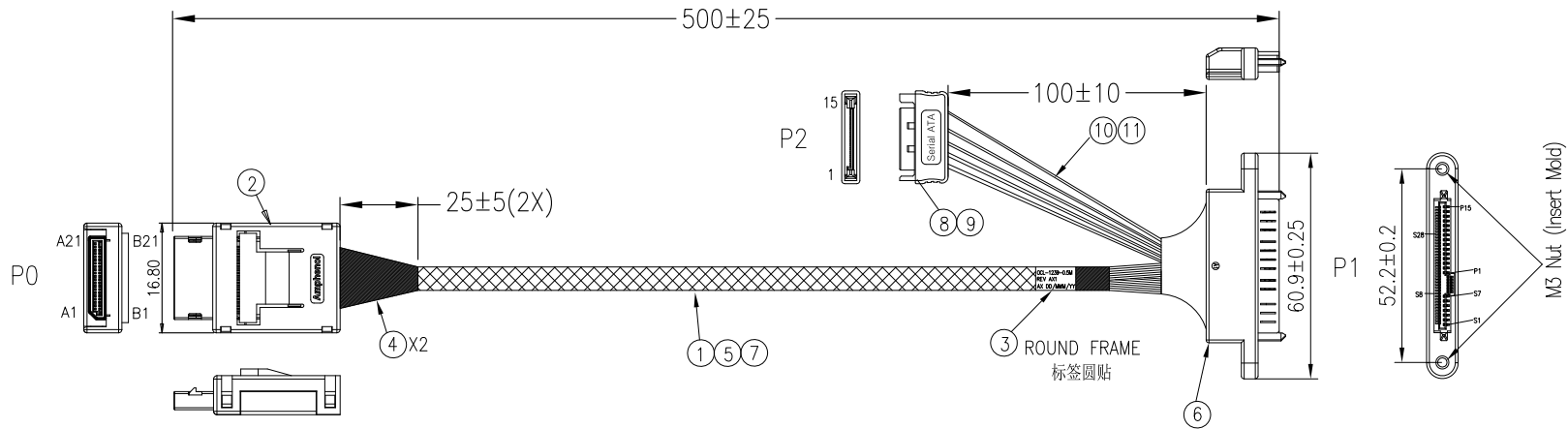


The marking on this product doesn't contain environmental hazardous materials per directive 2011/65/EU for RoHS compliance.

REVISIONS

ECN NO.	REV.	DESCRIPTIONS	CHECKED	APPROVED	DATE
REL.	AX1	INITIAL RELEASE	JUSTIN	KASUN	11/09/2017

- NOTE:
 1. THE CABLE ASSEMBLY SHALL BE MEET RoHS2.0 COMPLIANT.
 该产品通过RoHS2.0认证。
 2. ELECTRICAL AND MECHANICAL PERFORMANCE SHALL MEET PCIe OCULINK SPECIFICATION REV 1.0.
 电气性能满足PCIe Oculink 1.0版本的规范。
 3. THE CABLE ASSEMBLY SHALL MEET BELOW IMPENDANCE REQUIREMENT:
 TERMINATION AREA: 85±15% OHMS, CABLE ABSOLUTE AREA: 85±10% OHMS.
 该产品满足下面阻抗特性: 接触区域85±15% 欧姆, 线材为85±10% 欧姆。



LABEL DETAIL

11	R10070240X	WIRE,24AWG,UL1007,STRAND ED	A/R
10	R10070180X	WIRE:18AWG,41C,UL1007	A/R
9	RMRPV45101	PVC,45P,V1,BLACK	A/R
8	10115M02	SATA CONN:15P,M,BRS,G/F,LCP,V0,BLK	1
7	H03302320X	WIRE,32AWG,UL3302,7/0.08,HF,VW-1,NO MARKING	A/R
6	AST8639-001	8639 PCIe 68POS CONN,STR,BLACK,Au15u"	1
5	HMTBD05005	EXPANDO TUB:OD=5MM,PET,GREEN,SINGLE(OD5~11MM),HF	A/R
4	HMMTP00012	ACETATE TAPE:W=1INCH,HF	A/R
3	HMLS57262	LABEL:57*26MM,BLANK	1
2	OCL42-0003	MiniLink,42POS,CONNECTOR, STR WITH ACTIVE LATCH	1
1	RWSS320006	SAS CBL:32#2C+2D+AM+HM,OD0.65*1.56,BLU,85Q,VW-1	A/R
ITEM	VENDOR P/N	DESCRIPTION	QTY

This drawing is the property of Serial Cables and is delivered on the express condition that it is not to be disclosed, reproduced or used, in whole or in part, for manufacture or sale by anyone other than Serial Cables without its prior consent, and that no right is granted to disclose or use any information in this drawing.



GENERAL TOLERANCES	
.X:	± 0.5
.XX:	± 0.3
.XXX:	
ANGULAR:	± 2'

DRAWN:	NATHAN CAO	DATE:	11/09/2017
CHECKED:	JUSTIN OU	DATE:	11/09/2017
APPROVED:	KASUN LI	DATE:	11/09/2017

TITLE:		
SC P/N:OCL-1239-0.5M OCULINK TO 8639+SATA 15P		
DWG. No.: RML42-0834		
SCALE: NONE	SHEET 1 OF 2	
UNIT: MM	SIZE: A4	REV.: AX1

The marking on this product doesn't contain environmental hazardous materials per directive 2011/65/EU for RoHS compliance.

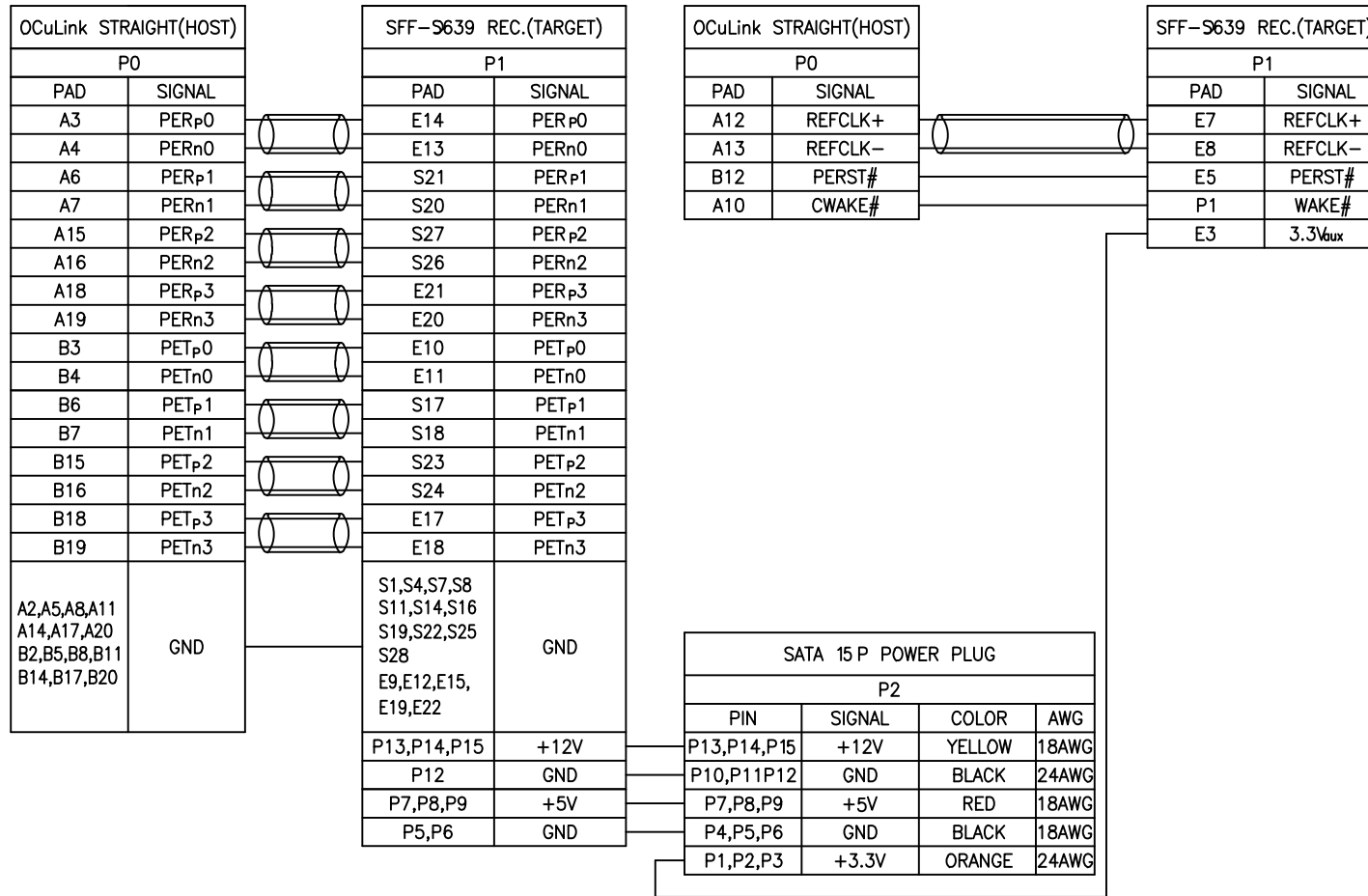
REVISIONS

ECN NO.	REV.	DESCRIPTIONS	CHECKED	APPROVED	DATE
REL.					

WIRING DIAGRAM

HIGH SPEED SIGNAL

LOW SPEED SIGNAL & POWER



This drawing is the property of Serial Cables and is delivered on the express condition that it is not to be disclosed, reproduced or used, in whole or in part, for manufacture or sale by anyone other than Serial Cables without its prior consent, and that no right is granted to disclose or use any information in this drawing.



GENERAL TOLERANCES	
.X:	± 0.5
.XX:	± 0.3
.XXX:	
ANGULAR:	± 2'

DRAWN:	NATHAN CAO	DATE:	11/09/2017
CHECKED:	JUSTIN OU	DATE:	11/09/2017
APPROVED:	KASUN LI	DATE:	11/09/2017

TITLE:	SC P/N:OCL-1239-0.5M OCULINK TO 8639+SATA 15P		
DWG. No.:	RML42-0834		
SCALE:	NONE	SHEET 2 OF 2	
UNIT:	MM	SIZE:	A4
REV.:	AX1		