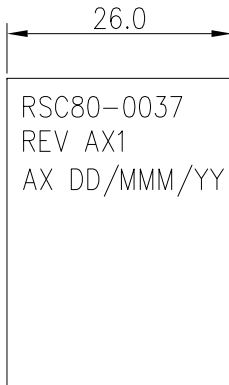
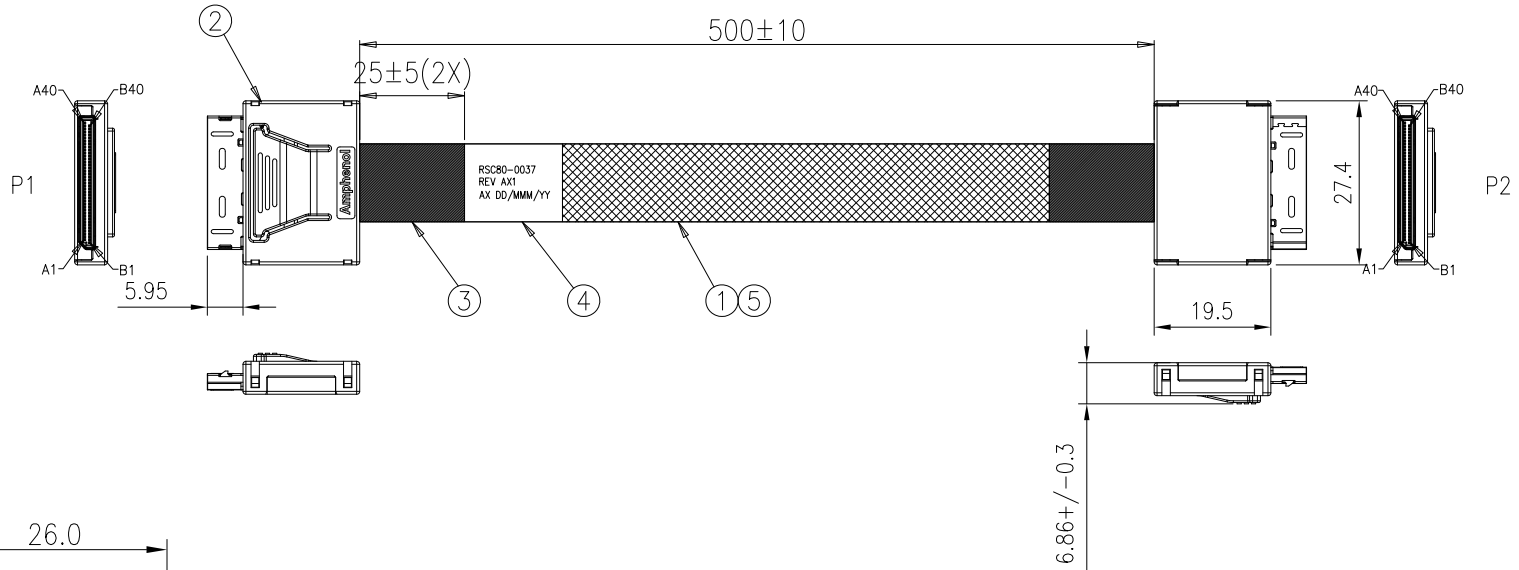


The marking on this product doesn't contain environmental hazardous materials per directive 2011/65/EU for RoHS compliance.

REVISIONS					
ECN NO.	REV.	DESCRIPTIONS	CHECKED	APPROVED	DATE
REV.	AX1	INITIAL RELEASE	KOCHI	ALEX	12/09/2016

- NOTE:
1. THE CABLE ASSEMBLY SHALL BE MEET RoHS2.0 COMPLIANT.
该产品通过RoHS2.0认证.
 2. THE CABLE ASSEMBLY SHALL MEET BELOW IMPEDANCE REQUIREMENT:
TERMINATION AREA: 85±15% OHMS, CABLE ABSOLUTE AREA: 85±10% OHMS.
该产品满足下面阻抗特性: 接触区域85±15% 欧姆, 线材为85±10% 欧姆.
 3. ELECTRICAL AND MECHANICAL PERFORMANCE SHALL MEET PCIe GEN3 SPECIFICATION.
电气性能满足PCIe GEN3规范.



LABEL DETAIL

5	HMTBD01001	EXPANDO TUBE:OD=10MM,BLACK,VW-1,HF	A/R
4	HMLSB57262	LABEL:57*26MM,BLANK,WHT,R2,HF	1
3	HMMTP00012	ACETATE TAPE,W=1INCH,HF	A/R
2	OCL80-0002	X8 STRAIGHT ACTIVE OCuLink PLUG	2
1	HWSS340010	SAS CBL:UL20744 34#2C+2D,Ag plated,BLU,85Q,VW-1,HF,24G	A/R
ITEM	P/N	DESCRIPTION	QTY

This drawing is the property of Serial Cables and is delivered on the express condition that it is not to be disclosed, reproduced or used, in whole or in part, for manufacture or sale by anyone other than Serial Cables without its prior consent, and that no right is granted to disclose or use any information in this drawing.



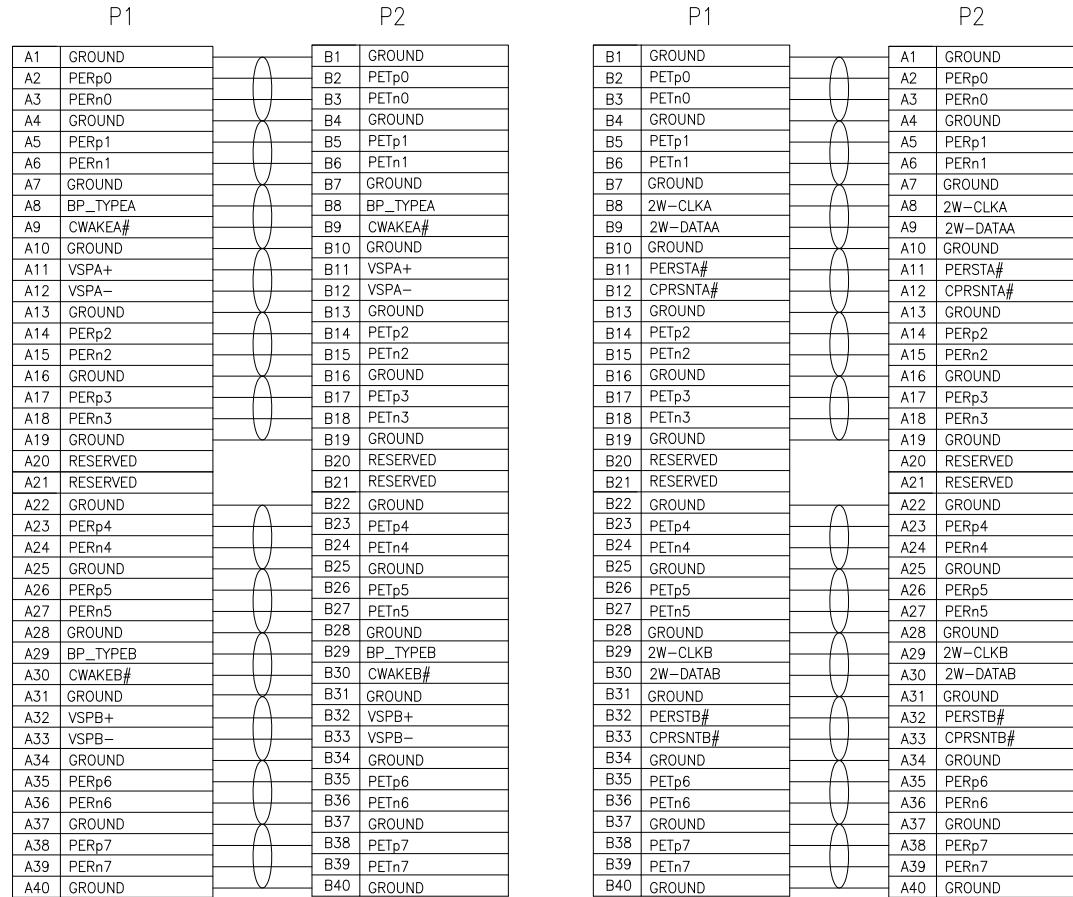
GENERAL TOLERANCES			
.X:	± 0.5	DRAWN:	DATE:
.XX:	± 0.3	HARVEY HUANG	12/09/2016
.XXX:	± 0.01	CHECKED:	DATE:
ANGULAR:	± 1'	KOCHI HU	12/09/2016
		APPROVED:	DATE:
		ALEX CHOW	12/09/2016

TITLE:		
SC P/N:RSC80-0037 OCULINK 8X STR TO 8X STR		
DWG. No.: RML80-0037		
SCALE: NONE		SHEET 1 OF 3
UNIT: MM	SIZE: A4	REV.: AX1

The marking on this product doesn't contain environmental hazardous materials per directive 2011/65/EU for RoHS compliance.

REVISIONS

ECN NO.	REV.	DESCRIPTIONS	CHECKED	APPROVED	DATE
REV.					



WIRE TABLE

GENERAL TOLERANCES	
.X:	± 0.5
.XX:	± 0.3
.XXX:	± 0.01
ANGULAR:	± 1°

This drawing is the property of Serial Cables and is delivered on the express condition that it is not to be disclosed, reproduced or used, in whole or in part, for manufacture or sale by anyone other than Serial Cables without its prior consent, and that no right is granted to disclose or use any information in this drawing.

DRAWN:	HARVEY HUANG	DATE:	12/09/2016
CHECKED:	KOCHI HU	DATE:	12/09/2016
APPROVED:	ALEX CHOW	DATE:	12/09/2016



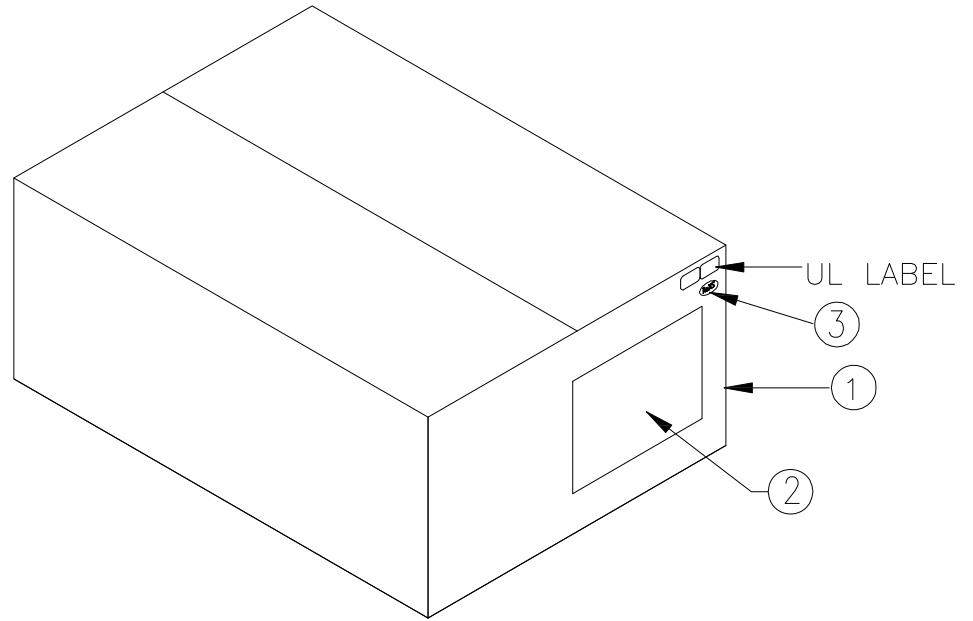
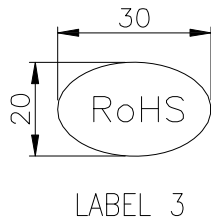
TITLE: SC P/N:RSC80-0037 OCULINK 8X STR TO 8X STR		
DWG. No.: RML80-0037		
SCALE: NONE	SHEET 2 OF 3	
UNIT: MM	SIZE: A4	REV.: AX1

The marking on this product doesn't contain environmental hazardous materials per directive 2011/65/EU for RoHS compliance.

REVISIONS					
ECN NO.	REV.	DESCRIPTIONS	CHECKED	APPROVED	DATE
REL.					

LABEL 2

PN: RSC80-0037/RML80-0037



3	RMLSW30201	RoHS LABEL:30*20MM, LABEL5 INFO	1
2	RMLSB00401	LABEL3:100*40MM,WHT,BLANK,R2	1
1	RMBCTN0019	CARTON:590*240*200MM E TYPE	1
ITEM	PART NUMBER	DESCRIPTION	Q'TY

GENERAL TOLERANCES

.X:	± 0.5
.XX:	± 0.3
.XXX:	± 0.01
ANGULAR:	± 1°

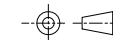
This drawing is the property of Serial Cables and is delivered on the express condition that it is not to be disclosed, reproduced or used, in whole or in part, for manufacture or sale by anyone other than Serial Cables without its prior consent, and that no right is granted to disclose or use any information in this drawing.

DRAWN:	HARVEY HUANG	DATE:	12/09/2016
CHECKED:	KOCHI HU	DATE:	12/09/2016
APPROVED:	ALEX CHOW	DATE:	12/09/2016



TITLE:
SC P/N:RSC80-0037
OCULINK 8X STR TO 8X STR

DWG. No.: RML80-0037



SCALE: NONE

SHEET 3 OF 3

UNIT: MM

SIZE: A4

REV.: AX1