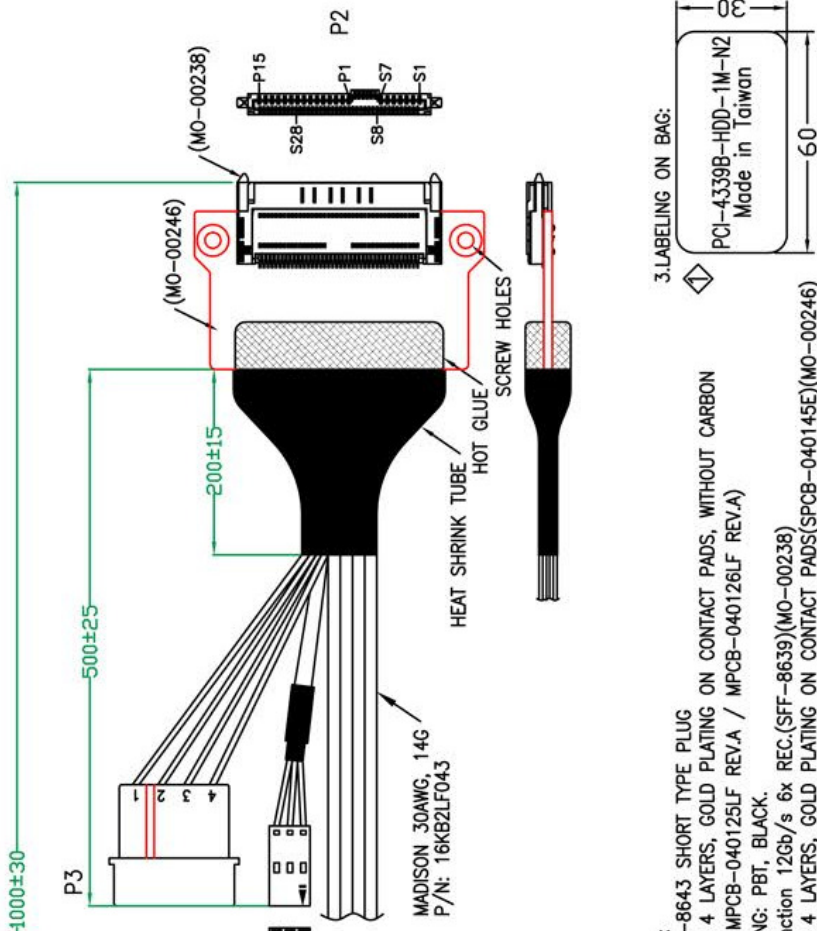


RoHS

REV.	REMARK	DATE	SIGN.
◇	REVISE CUSTOMER P/N	04/09/15	Sino
◇	REVISE PCB P/N	05/29/15	Sino



- 1.CABLE SPEC:**
 CONDUCTOR: 30AWG SOLID SILVER PLATED COPPER.
 INSULATION: FOAM POLYOLEFIN.
 PAIR: 2 SINGLES LAID FLAT AND PARALLEL.
 PAIR DRAIN WIRE: 30AWG SOLID SILVER PLATED COPPER.
 PAIR SHIELD: ALUMINUM/POLYESTER TAPE.
 INNER SHIELD: ALUMINUM/POLYESTER TAPE.
 ALUMINUM SIDE FACING OUT, 25% OVERLAP.
 DIFFERENTIAL IMPEDANCE: 100±5 OHMS @1DR
 UL LISTING: TYPE CL2 AS SPECIFIED IN ARTICLE 725 OF THE NATIONAL ELECTRICAL CODE.
- 2.CONNECTOR:**
 P0,P1: SFF-8643 SHORT TYPE PLUG
 (1) P.C.B: 4 LAYERS, GOLD PLATING ON CONTACT PADS, WITHOUT CARBON (P/N: MPCB-040125LF REV.A / MPCB-040126LF REV.A)
 (2) HOUSING: PBT, BLACK.
 P2: Multifunction 12Gb/s 6x REC.(SFF-8639)(MO-00238)
 (1) P.C.B: 4 LAYERS, GOLD PLATING ON CONTACT PADS(SPCB-040145E)(MO-00246)
 P3: 4 POSITION DC POWER PLUG.
 POWER CABLE: UL 1007 18AWG 80°C 300V
 P4: 3P HOUSING

MATERIAL RoHS COMPLIANT:

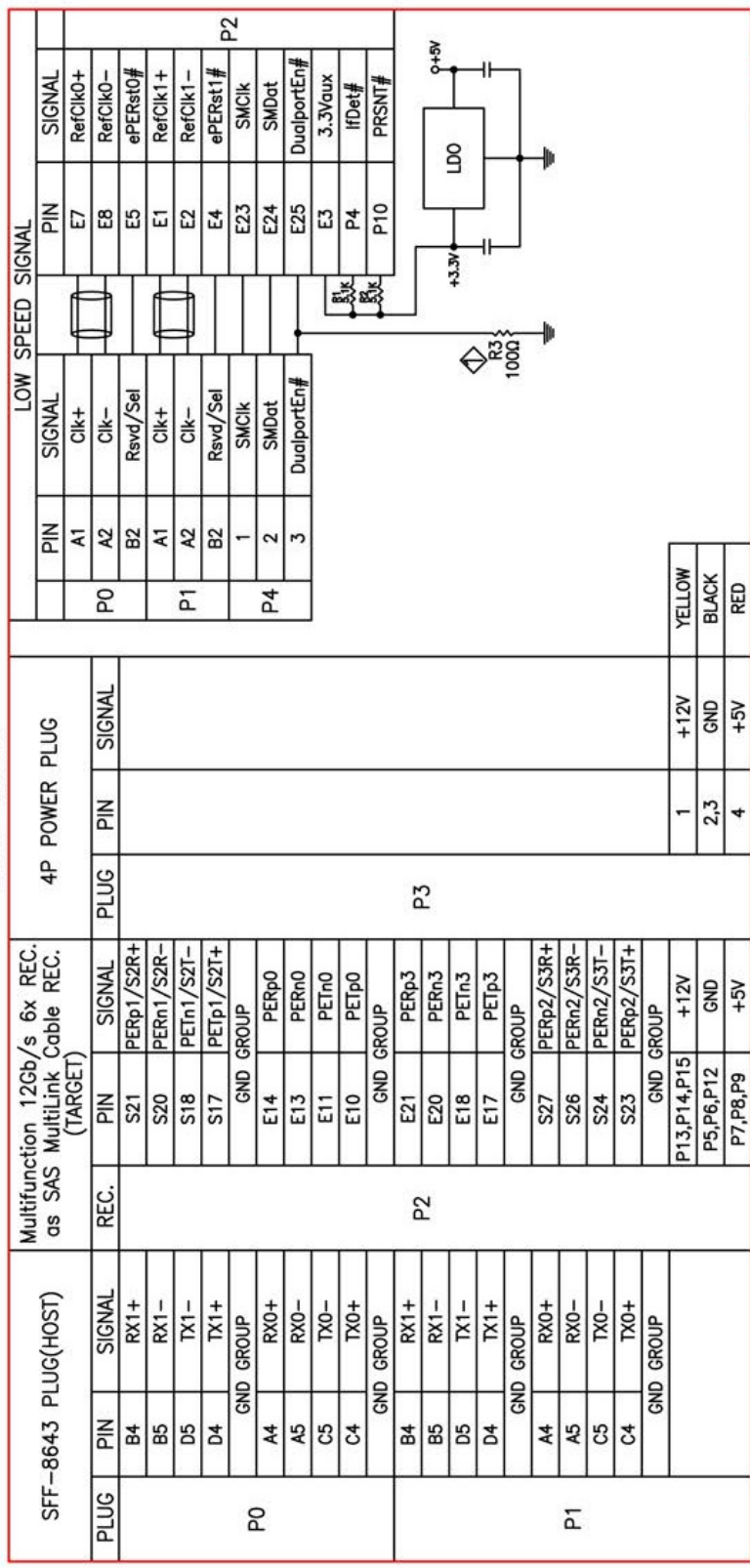
- 3.LABELING ON BAG:**
 PCI-4339B-HDD-1M-N2
 Made in Taiwan



DESC.	SFF8643 TO SFF8639 REC. WITH POWER CABLE ASSY	APPROVED	CHECKED	DESIGNED	TOLERANCE	SCALE	*	UNIT	mm
P/N	B-5085	CUSTOMER P/N	PCI-4339B-HDD-1M-N2	Sino					
						DATE	05/29/15	DWG NO:	DWG\B\5085

1	2	3	4	5	6	7	8	9	
REV.	REMARK	DATE	SIGN.						
◇	REVISE LOW SPEED SIGNAL	05/29/'15	Sino						

WIRING DIAGRAM



*客製化接點

P0,P1 GND GROUP:
A3,A6,A9,B3,B6,B9,
C3,C6,C9,D3,D6,D9.

P2 GND GROUP:
E9,E12,E15,E19,E22,S1,S4,S7
S8,S11,S14,S16,S19,S22,S25,S28



DESC.	SFF8643 TO SFF8639 REC. WITH POWER CABLE ASS'Y	APPROVED	CHECKED	DESIGNED	TOLERANCE	SCALE	* DATE	UNIT
P/N	B-5085			Sino			05/29/'15	mm
							DWG NO:	DWG\B\5085

1	2	3	4	5	6	7	8	9
---	---	---	---	---	---	---	---	---