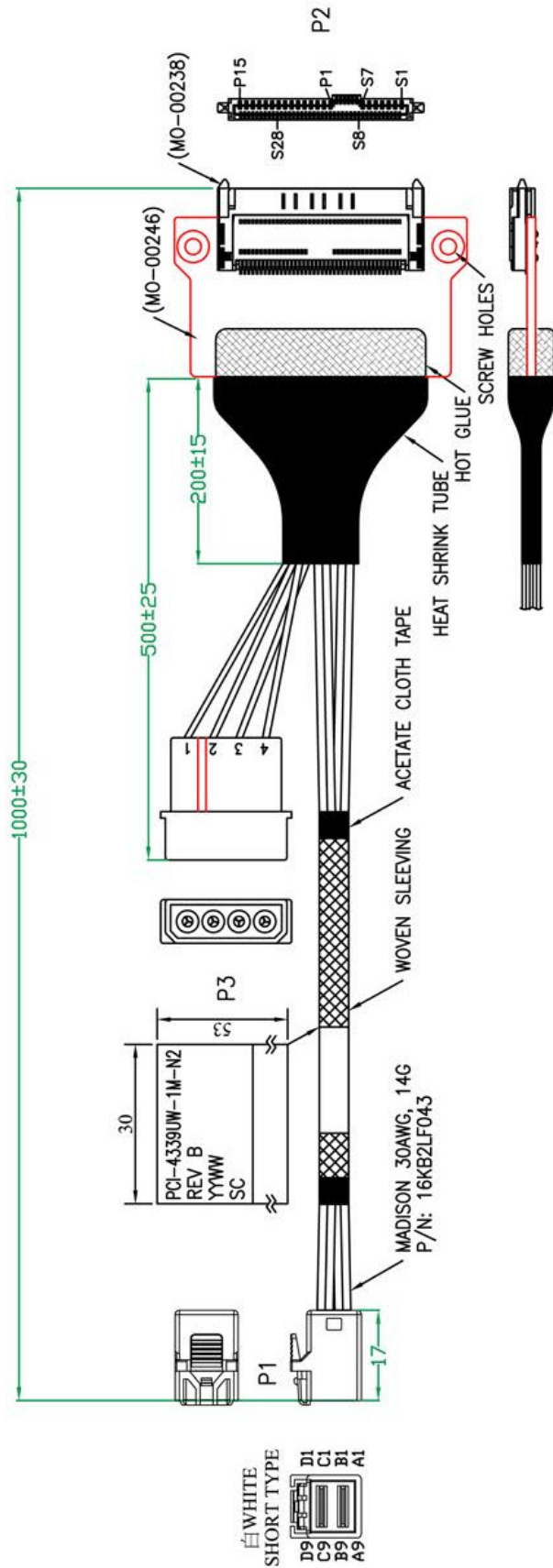


RoHS

| | | | |
|------|--------|------|-------|
| REV. | REMARK | DATE | SIGN. |
| | | | |



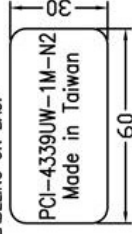
MATERIAL RoHS COMPLIANT:

1. CABLE:
 CONDUCTOR: 30AWG, SOLID, SILVER PLATED COPPER.
 INSULATION: FOAM POLYOLEFIN.
 PAIR: 2 SINGLES LAD FLAT AND PARALLEL.
 PAIR DRAIN WIRE: 30AWG SOLID SILVER PLATED COPPER.
 PAIR SHIELD: ALUMINUM/POLYESTER TAPE.
 INNER SHIELD: ALUMINUM SIDE FACING IN, 25% OVERLAP.
 ALUMINUM SIDE FACING OUT, 25% OVERLAP.
 DIFFERENTIAL IMPEDANCE: 100±5 OHMS @1DR
 UL LISTING: TYPE CL2 AS SPECIFIED IN ARTICLE 725 OF THE NATIONAL ELECTRICAL CODE.

2. CONNECTOR:

- P1: SFF-8643 SHORT TYPE PLUG
 (1) P.C.B: 4 LAYERS, GOLD PLATING ON CONTACT PADS, WITHOUT CARBON (P/N: MPCB-040125LF REV.A / MPCB-040126LF REV.A)
 (2) HOUSING: PBT, WHITE
 P2: Multifunction 12Gb/s 6x REC.(SFF-8639)(MO-00238)
 (1) P.C.B: 4 LAYERS, GOLD PLATING ON CONTACT PADS(SPCB-040145D)(MO-00246)
 P3: 4 POSITION DC POWER PLUG
 POWER CABLE: UL 1007 18AWG 80°C 300V

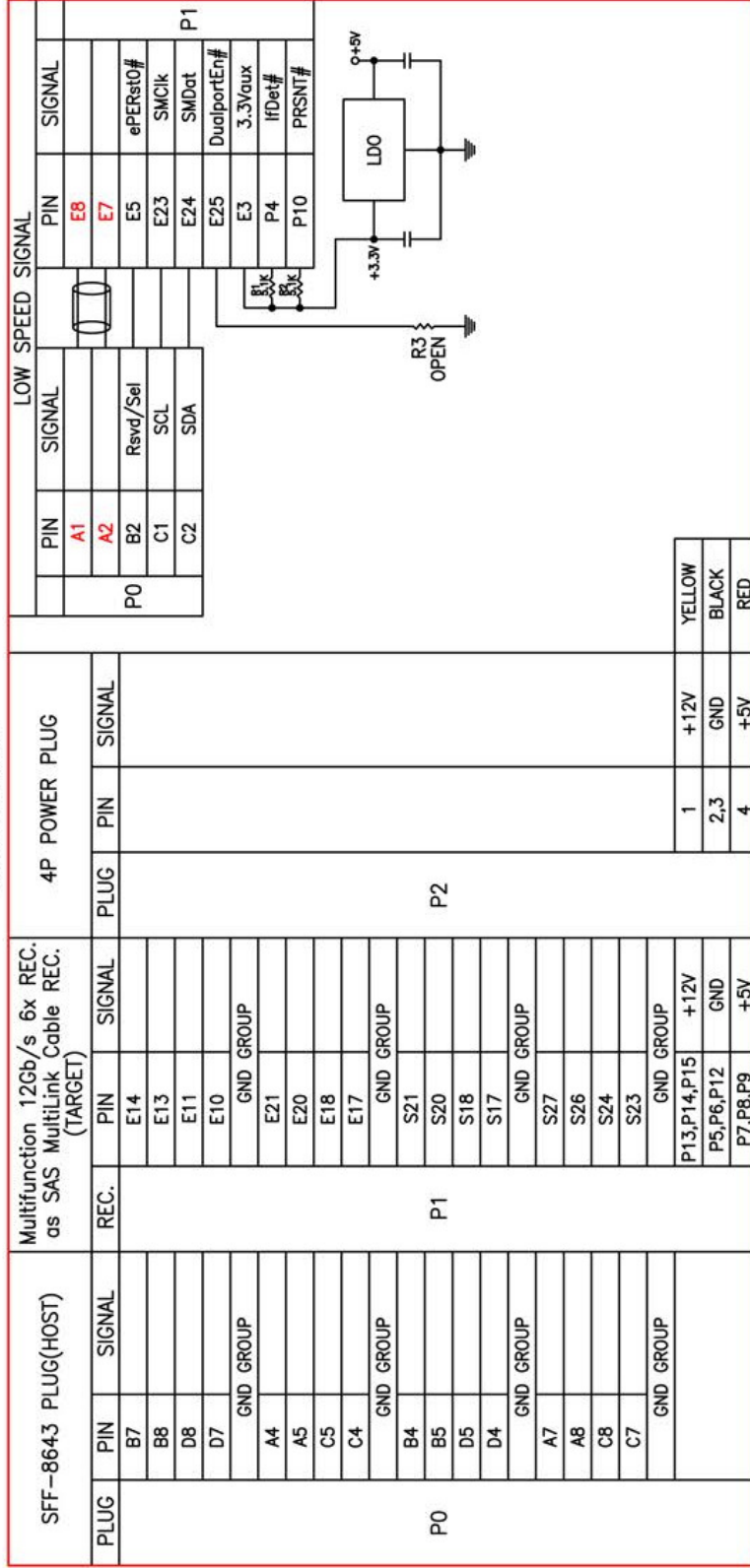
3. LABELING ON BAG:



| | | | | | | | | | |
|-------|--|--------------|------------------|----------|-----------|-------|---|---------|------------|
| DESC. | SFF8643 TO SFF8639 REC. WITH POWER CABLE ASS'Y | APPROVED | CHECKED | DESIGNED | TOLERANCE | SCALE | * | UNIT | mm |
| P/N | B-5264 | CUSTOMER P/N | PCI-4339UW-1M-N2 | Sino | | | | DATE | 08/27/15 |
| | | | | | | | | DWG NO: | DWG(B)5264 |

| | | | | | | | | |
|------|--------|------|-------|---|---|---|---|---|
| 1 | 2 | 3 | 4 | 5 | 6 | 7 | 8 | 9 |
| REV. | REMARK | DATE | SIGN. | | | | | |

WIRING DIAGRAM



*客製化接點

P1 GND GROUP:

E9,E12,E15,E19,E22,S1,S4,S7
S8,S11,S14,S16,S19,S22,S25,S28

P0 GND GROUP:

A3,A6,A9,B3,B6,B9,
C3,C6,C9,D3,D6,D9.



| | | | | | | | | | |
|-------|--|--------------|------------------|----------|-----------|-------|----------|---------|------------|
| DESC. | SFF8643 TO SFF8639 REC. WITH POWER CABLE ASS'Y | APPROVED | CHECKED | DESIGNED | TOLERANCE | SCALE | * | UNIT | mm |
| P/N | B-5264 | CUSTOMER P/N | PCI-4339UW-1M-N2 | Sino | | DATE | 08/27/15 | DWG NO: | DWG\B\5264 |