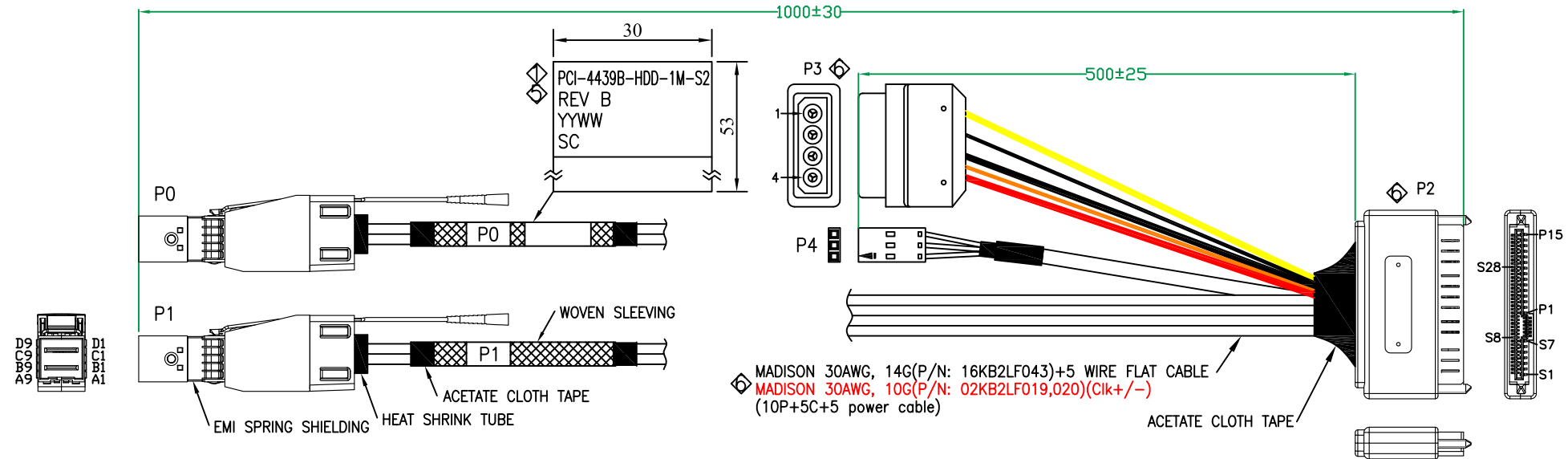


REV.	REMARK	DATE	SIGN.
◇	REVISE CUSTOMER P/N	04/09/'15	Sino
◇	REVISE LOW SPEED SIGNAL	05/25/'15	Sino
◇	REVISE PCB P/N&LOW SPEED SIGNAL	05/29/'15	Sino
◇	REVISE S24,S23 SIGNAL	07/17/'15	Sino
◇	REVISE PCB P/N&CUSTOMER P/N	10/27/'15	Sino
◇	CHANGE CONNECTOR, REVISE CABLE&POWER SINGAL, Add POWER CABLE	04/19/'16	Sino

RoHS

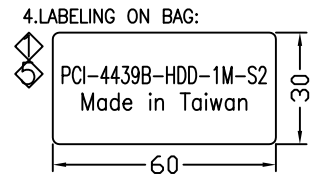


◇ MADISON 30AWG, 14G(P/N: 16KB2LF043)+5 WIRE FLAT CABLE  
 ◇ MADISON 30AWG, 10G(P/N: 02KB2LF019,020)(Clk+/-)  
 (10P+5C+5 power cable)

**MATERIAL RoHS COMPLIANT:**

- 1.CABLE: MADISON 30AWG, 14G(P/N: 16KB2LF043)  
 CONDUCTOR: 30AWG SOLID SILVER PLATED COPPER.  
 INSULATION: FOAM POLYOLEFIN.  
 PAIR: 2 SINGLES LAID FLAT AND PARALLEL.  
 PAIR DRAIN WIRE: 30AWG SOLID SILVER PLATED COPPER.  
 PAIR SHIELD: ALUMINUM/POLYESTER TAPE,  
 ALUMINUM SIDE FACING IN, 25% OVERLAP.  
 INNER SHIELD: ALUMINUM/POLYESTER TAPE,  
 ALUMINUM SIDE FACING OUT, 25% OVERLAP.  
 DIFFERENTIAL IMPEDANCE: 100±5 OHMS @TDR  
 UL LISTING: TYPE CL2 AS SPECIFIED IN ARTICLE 725  
 OF THE NATIONAL ELECTRICAL CODE.
- ◇ 2.CABLE: MADISON 30AWG, 10G(P/N: 02KB2LF019,20)

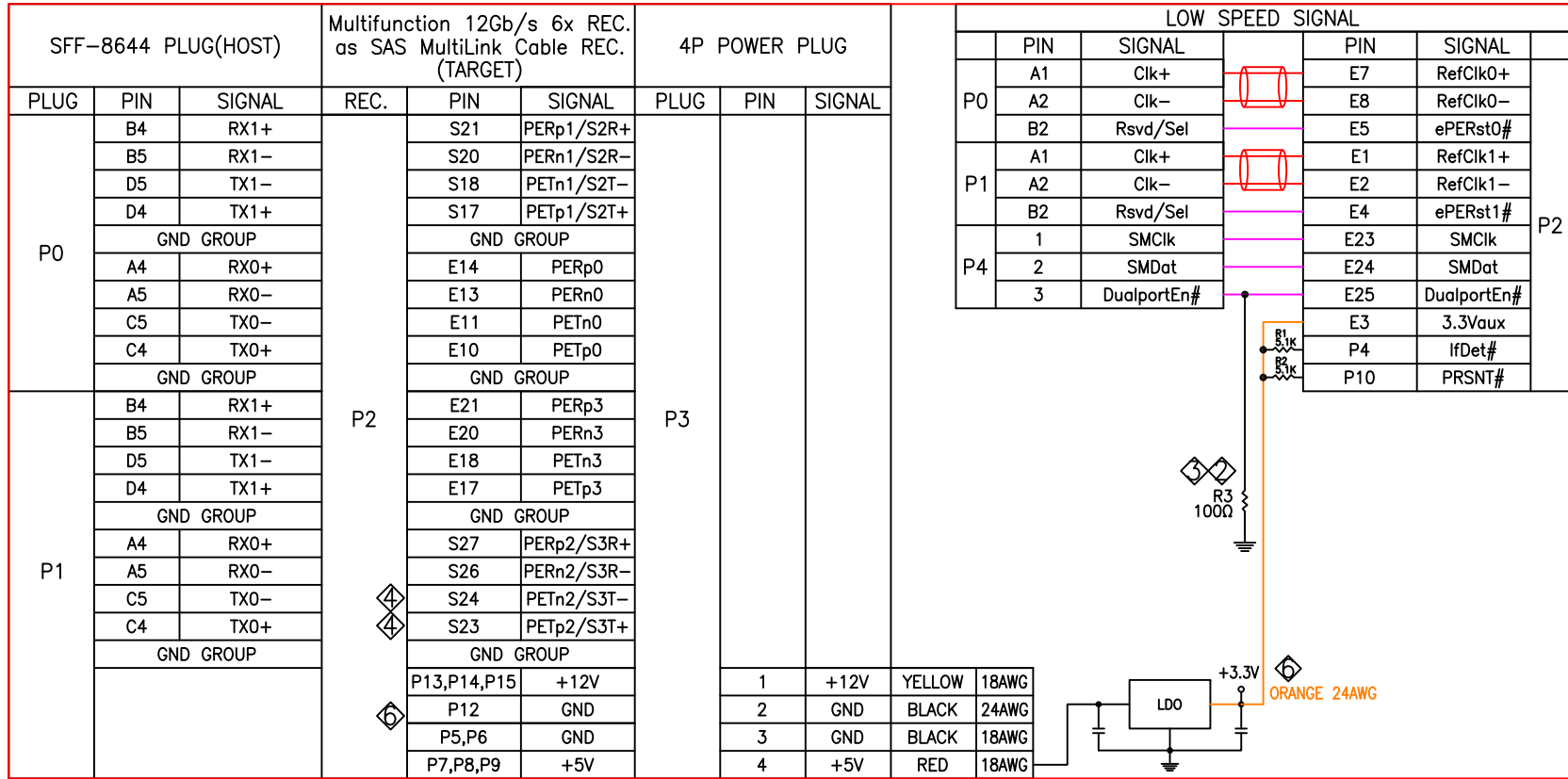
- 3.CONNECTOR:  
 P0,P1: Mini SAS HD 4x CABLE PLUG (SFF-8644)  
 ◇ (1) P.C.B: 4 LAYERS, GOLD PLATING ON CONTACT PADS, WITHOUT CARBON  
 (P/N: MPCB-060003LF REV.B / MPCB-060004LF REV.B)  
 (2) LATCH: STAINLESS STEEL  
 (3) BACKSHELL: ZINC DIE CASTING HOOD/ NICKEL PLATING  
 (4) PULL TAB: NYLON UL94V-0, COLOR: BLUE.  
 (5) EMI SPRING SHIELDING
- ◇ P2: SFF-8639 68P CONNECTOR  
 ◇ (1) P.C.B: 4 LAYERS, GOLD PLATING ON CONTACT PADS.(SPCB-040152D)  
 (2) HOUSING: ABS, BLACK.  
 (3) WITHOUT EARS NOR SCREWS.
- ◇ P3: 4 POSITION DC POWER PLUG  
 (1) P.C.B: MPCB-040152LF\_REVA\_DTD  
 (2) POWER CABLE: UL 1007 18AWG\*3 80°C 300V  
 (3) POWER CABLE: UL 1007 24AWG\*2 80°C 300V
- P4: 3P HOUSING



DESC.	SFF8644 TO SFF8639 REC. WITH POWER CABLE ASS'Y	APPROVED	CHECKED	DESIGNED	TOLERANCE	SCALE	*	UNIT	mm	
P/N	B-5082	CUSTOMER P/N	PCI-4439B-HDD-1M-S2	Sino		DATE	04/19/'16	DWG NO:	DWG\B\5082	

REV.	REMARK	DATE	SIGN.
◇	REVISE CUSTOMER P/N	04/09/'15	Sino
◇	REVISE LOW SPEED SIGNAL	05/25/'15	Sino
◇	REVISE PCB P/N&LOW SPEED SIGNAL	05/29/'15	Sino
◇	REVISE S24,S23 SIGNAL	07/17/'15	Sino
◇	REVISE PCB P/N&CUSTOMER P/N	10/27/'15	Sino
◇	CHANGE CONNECTOR, REVISE CABLE&POWER SINGAL, Add POWER CABLE	04/19/'16	Sino

WIRING DIAGRAM



P0,P1 GND GROUP:  
A3,A6,A9,B3,B6,B9,  
C3,C6,C9,D3,D6,D9.

P2 GND GROUP:  
E9,E12,E15,E19,E22,S1,S4,S7  
S8,S11,S14,S16,S19,S22,S25,S28

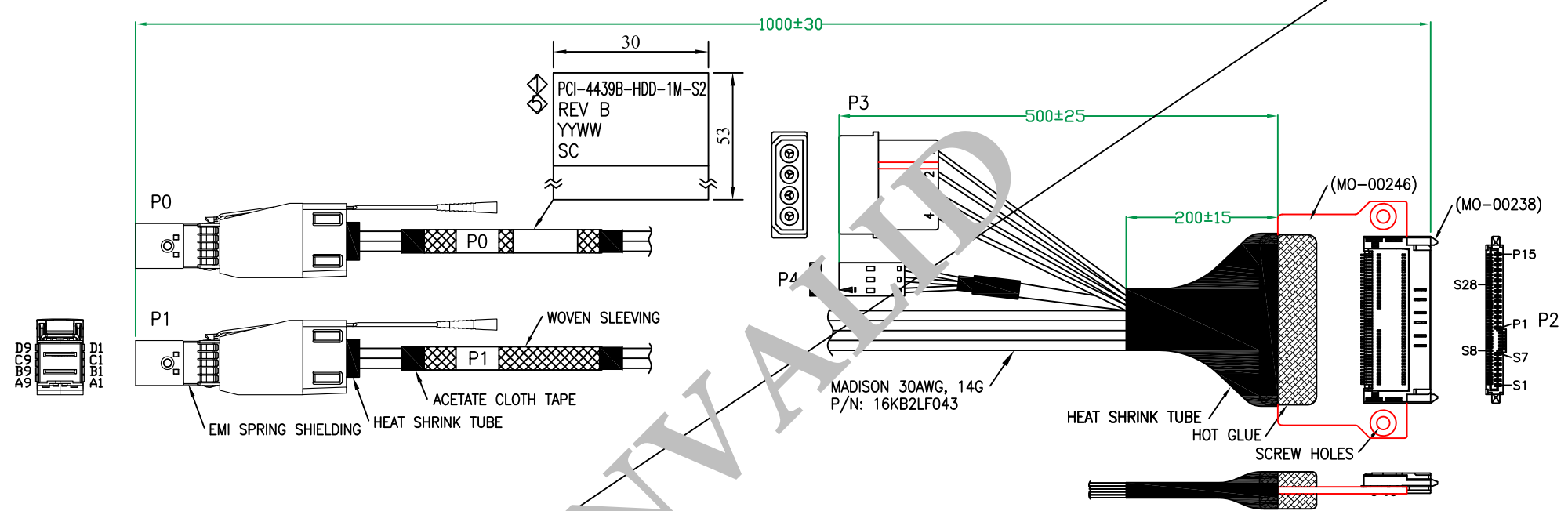
\*客製化接點



DESC.	SFF8644 TO SFF8639 REC. WITH POWER CABLE ASS'Y	APPROVED	CHECKED	DESIGNED	TOLERANCE	SCALE	*	UNIT	mm	
P/N	B-5082	CUSTOMER P/N	PCI-4439B-HDD-1M-S2	Sino		DATE	04/19/'16	DWG NO:	DWG\B\5082	

REV.	REMARK	DATE	SIGN.
◇	REVISE CUSTOMER P/N	04/09/'15	Sino
◇	REVISE LOW SPEED SIGNAL	05/25/'15	Sino
◇	REVISE PCB P/N&LOW SPEED SIGNAL	05/29/'15	Sino
◇	REVISE S24,S23 SIGNAL	07/17/'15	Sino
◇	REVISE PCB P/N&CUSTOMER P/N	10/27/'15	Sino

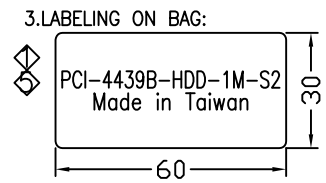
RoHS



**MATERIAL RoHS COMPLIANT:**

1.CABLE SPEC:  
 CONDUCTOR: 30AWG SOLID SILVER PLATED COPPER.  
 INSULATION: FOAM POLYOLEFIN.  
 PAIR: 2 SINGLES LAID FLAT AND PARALLEL.  
 PAIR DRAIN WIRE: 30AWG SOLID SILVER PLATED COPPER.  
 PAIR SHIELD: ALUMINUM/POLYESTER TAPE,  
 ALUMINUM SIDE FACING IN, 25% OVERLAP.  
 INNER SHIELD: ALUMINUM/POLYESTER TAPE,  
 ALUMINUM SIDE FACING OUT, 25% OVERLAP.  
 DIFFERENTIAL IMPEDANCE: 100±5 OHMS @TDR  
 UL LISTING: TYPE CL2 AS SPECIFIED IN ARTICLE 725  
 OF THE NATIONAL ELECTRICAL CODE.

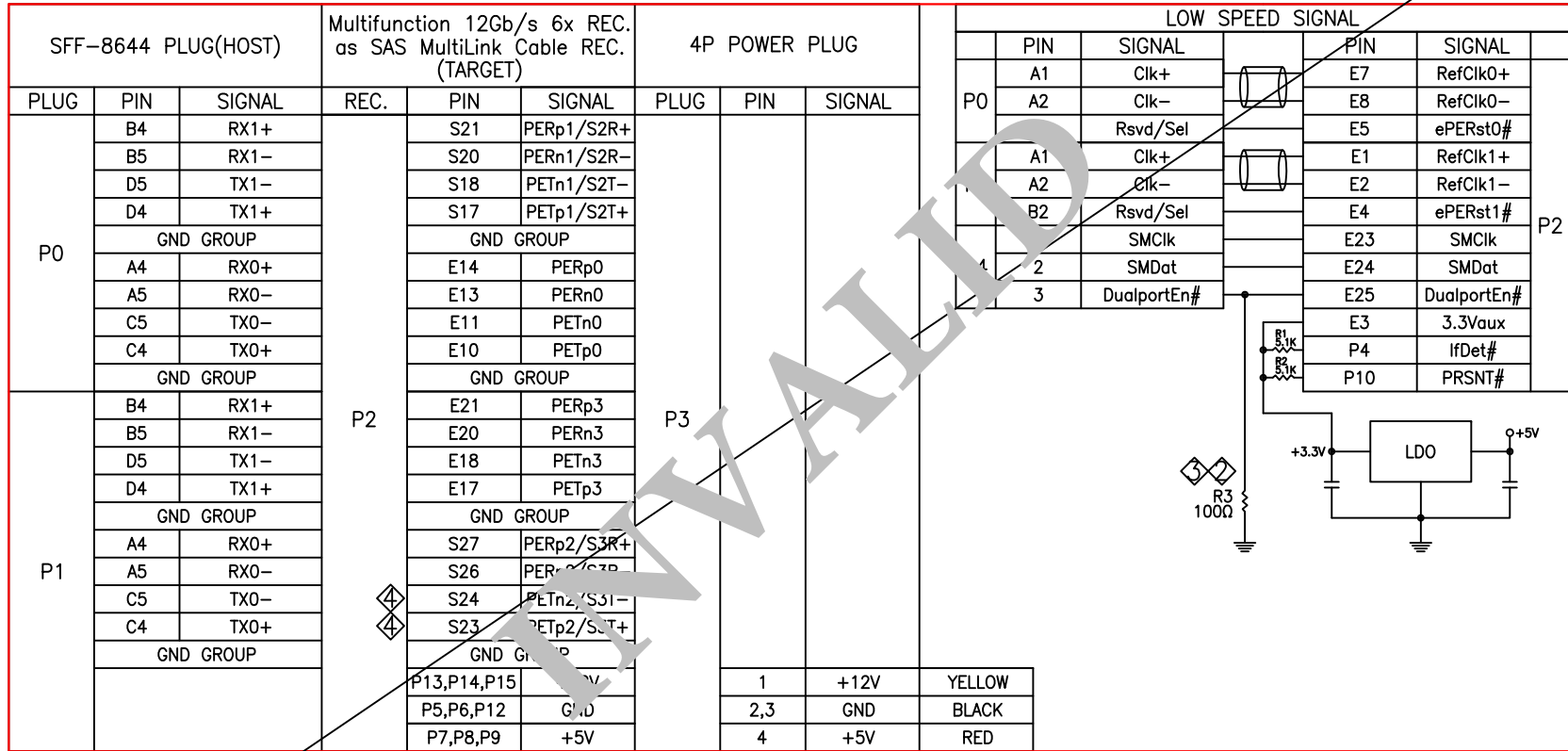
2.CONNECTOR:  
 P0,P1: Mini SAS HD 4x CABLE PLUG (SFF-8644)  
 (1) P.C.B: 4 LAYERS, GOLD PLATING ON CONTACT PADS, WITHOUT CARBON  
 (P/N: MPCB-060003LF REV.B / MPCB-060004LF REV.B)  
 (2) LATCH: STAINLESS STEEL  
 (3) BACKSHELL: ZINC DIE CASTING HOOD/ NICKEL PLATING  
 (4) PULL TAB: NYLON UL94V-0, COLOR: BLUE.  
 (5) EMI SPRING SHIELDING  
 P2: Multifunction 12Gb/s 6x REC.(SFF-8639)(MO-00238)  
 (1) P.C.B: 4 LAYERS, GOLD PLATING ON CONTACT PADS(SPCB-040145E)(MO-00246)  
 P3: 4 POSITION DC POWER PLUG  
 POWER CABLE: UL 1007 18AWG 80°C 300V  
 P4: 3P HOUSING



DESC.	SFF8644 TO SFF8639 REC. WITH POWER CABLE ASS'Y		APPROVED	CHECKED	DESIGNED	TOLERANCE	SCALE	*	UNIT	mm	
P/N	B-5082	CUSTOMER P/N	PCI-4439B-HDD-1M-S2		Sino		DATE	10/27/'15	DWG NO:	DWG\B\5082	

REV.	REMARK	DATE	SIGN.
◇	REVISE CUSTOMER P/N	04/09/'15	Sino
◇	REVISE LOW SPEED SIGNAL	05/25/'15	Sino
◇	REVISE PCB P/N&LOW SPEED SIGNAL	05/29/'15	Sino
◇	REVISE S24,S23 SIGNAL	07/17/'15	Sino
◇	REVISE PCB P/N&CUSTOMER P/N	10/27/'15	Sino

WIRING DIAGRAM



\*客製化接點



DESC.	SFF8644 TO SFF8639 REC. WITH POWER CABLE ASS'Y		APPROVED	CHECKED	DESIGNED	TOLERANCE	SCALE	*	UNIT	mm
P/N	B-5082	CUSTOMER P/N	PCI-4439B-HDD-1M-S2		Sino		DATE	10/27/'15	DWG NO:	DWG\B\5082