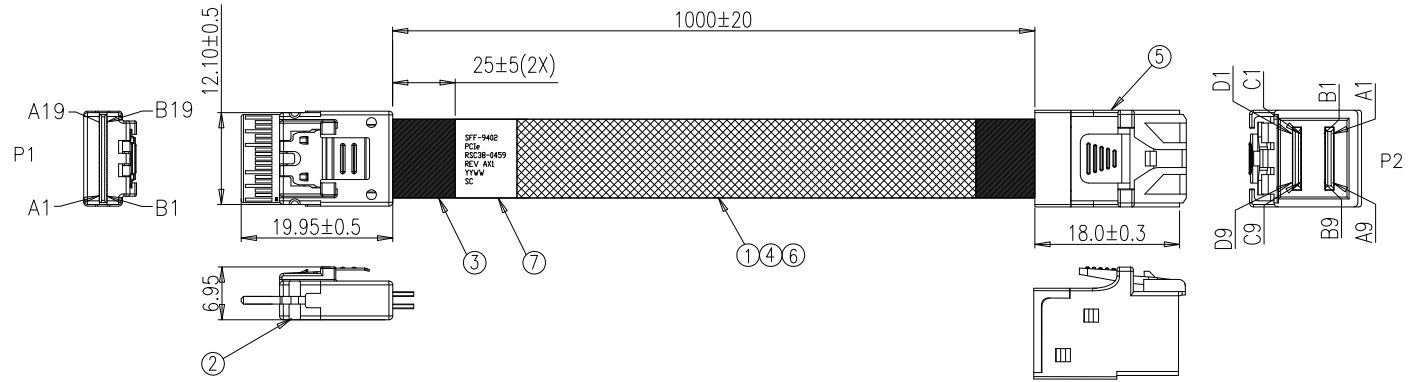


The marking on this product doesn't contain environmental hazardous materials per directive 2011/65/EU for RoHS compliance.

REVISIONS

ECN NO.	REV.	DESCRIPTIONS	CHECKED	APPROVED	DATE
REL.	AX1	INITIAL RELEASE	KOCHI	DAVID	10/21/2016

NOTE:
 1.ELECTRICAL AND MECHANICAL PERFORMANCE SHALL MEET THE SAS3.0 INDUSTRIAL STARDAND.
 电气和机械特性遵循SAS3.0工业标准.
 2.THE CABLE ASSEMBLY SHALL BE RoHS2.0 COMPLIANT.
 该产品通过RoHS2.0认证.



P1		P2	
GND	A19	C9	GND
RX3-	A18	C8	TX3-
RX3+	A17	C7	TX3+
GND	A16	C6/D9	GND
RX2-	A15	D8	TX2-
RX2+	A14	D7	TX2+
GND	A13	D6	GND
CLOCK	A12	D2	CLOCK
CLOCK	A11	C2	CLOCK
SB9	A10		
SB3	A9	B2	SB3
SB7	A8	A2	SB7
GND	A7	C6	GND
RX1-	A6	C5	TX1-
RX1+	A5	C4	TX1+
GND	A4	C3/D6	GND
RX0-	A3	D5	TX0-
RX0+	A2	D4	TX0+
GND	A1	D3	GND
GND	B19	A9	GND
TX3-	B18	A8	RX3-
TX3+	B17	A7	RX3+
GND	B16	A6/B9	GND
TX2-	B15	B8	RX2-
TX2+	B14	B7	RX2+
GND	B13	B6	GND
CLOCK	B12	D1	CLOCK
CLOCK	B11	C1	CLOCK
SB8	B10		
SB1	B9	B1	SB1
SB0	B8	A1	SB0
GND	B7	A6	GND
TX1-	B6	A5	RX1-
TX1+	B5	A4	RX1+
GND	B4	A3/B6	GND
TX0-	B3	B5	RX0-
TX0+	B2	B4	RX0+
GND	B1	B3	GND



LABEL DETAIL

7	HMLS57262	LABEL:57*26MM,BLANK,WHT,R2,HF	1
6	T-HMTBD07002	EXPANDO TUB:7.0MM,GREEN,SINGLE(OD7~25MM),R2,HF	A/R
5	AST8643-0036-04	HD MINI SAS 36POS SHORT TYPE	1
4	R15710320X	WIRE,32AWG,UL1571,OD<=0.45MM	A/R
3	HMMTP00012	ACETATE TAPE:W=1INCH	A/R
2	AST8654-0038-07	4X SLIMLINE PLUG CONNECTOR, Low profile straight	1
1	065-3299-984	SAS CABLE:32#2C+2D,100ohm,Silver Copper,VW-1	A/R
ITEM	P/N	DESCRIPTION	QTY

This drawing is the property of Serial Cables and is delivered on the express condition that it is not to be disclosed, reproduced or used, in whole or in part, for manufacture or sale by anyone other than Serial Cables without its prior consent, and that no right is granted to disclose or use any information in this drawing.



TITLE:		SC P/N:RSC38-0459 SAS SLIMLINE 4X STR TO HD MINI SAS 4X STR	
DRAWN:		DATE:	DWG. No.: RSL38-0459
HARVEY HUANG		10/21/2016	
CHECKED:		DATE:	SHEET 1 OF 2
KOCHI HU		10/21/2016	
APPROVED:		DATE:	SCALE: NONE
DAVID CHAN		10/21/2016	
UNIT: MM		SIZE: A4	REV.: AX1

GENERAL TOLERANCES	
.X:	± 0.5
.XX:	± 0.3
.XXX:	± 0.01
ANGULAR:	± 1°

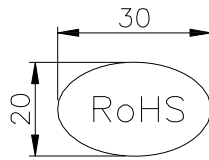
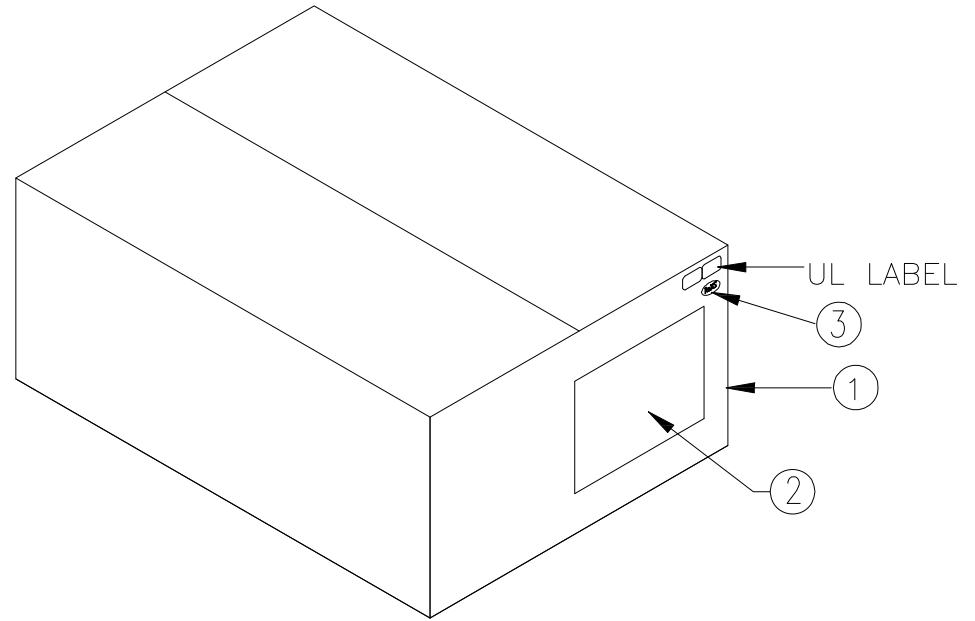
The marking on this product doesn't contain environmental hazardous materials per directive 2011/65/EU for RoHS compliance.

REVISIONS

ECN NO.	REV.	DESCRIPTIONS	CHECKED	APPROVED	DATE
REL.					

LABEL 2

PN: RSC38-0459/RSL38-0459



LABEL 3

3	RMLSW30201	RoHS LABEL:30*20MM, LABEL5 INFO	1
2	RMLSB00401	LABEL3:100*40MM,WHT,BLANK,R2	1
1	RMBCTN0019	CARTON:590*240*200MM E TYPE	1
ITEM	PART NUMBER	DESCRIPTION	Q'TY

This drawing is the property of Serial Cables and is delivered on the express condition that it is not to be disclosed, reproduced or used, in whole or in part, for manufacture or sale by anyone other than Serial Cables without its prior consent, and that no right is granted to disclose or use any information in this drawing.

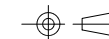


GENERAL TOLERANCES

.X:	± 0.5	DRAWN:	HARVEY HUANG	DATE:	10/21/2016
.XX:	± 0.3	CHECKED:	KOCHI HU	DATE:	10/21/2016
.XXX:	± 0.01	APPROVED:	DAVID CHAN	DATE:	10/21/2016
ANGULAR:	± 1°				

TITLE:
SC P/N:RSC38-0459
SAS SLIMLINE 4X STR TO HD MINI SAS 4X STR

DWG. No.: RSL38-0459



SCALE: NONE	SHEET 2 OF 2
UNIT: MM	SIZE: A4
REV.: AX1	