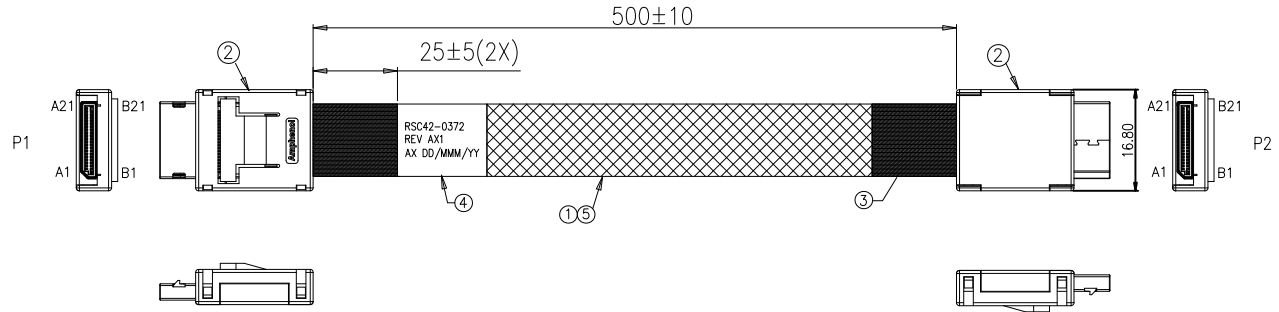


The marking on this product doesn't contain environmental hazardous materials per directive 2011/65/EU for RoHS compliance.

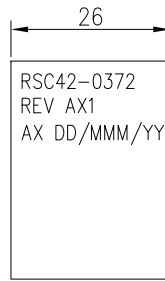
REVISIONS					
ECN NO.	REV.	DESCRIPTIONS	CHECKED	APPROVED	DATE
REV.	AX1	INITIAL RELEASE	KOCHI	DAVID	11/07/2016

- NOTE:
 1. THE CABLE ASSEMBLY SHALL BE MEET R&HS2.0 COMPLIANT.
 该产品通过RoHS2.0认证。
 2. THE CABLE ASSEMBLY SHALL MEET BELOW IMPEDANCE REQUIREMENT:
 TERMINATION AREA: 85±15% OHMS, CABLE ABSOLUTE AREA: 85±10% OHMS.
 该产品满足下面阻抗特性: 接触区域85±15% 欧姆, 线材为85±10% 欧姆。
 3. ELECTRICAL AND MECHANICAL PERFORMANCE SHOULD MEET THE SAS4.0 INDUSTRIAL STARDAND.
 电气和机械特性遵循SAS4.0工业标准。



P1		P2	
A1	POWER 3.3vact RX	B1	RESERVED
A2	GROUND	B2	GROUND
A3	PERp0	B3	PETp0
A4	PERn0	B4	PETn0
A5	GROUND	B5	GROUND
A6	PERp1	B6	PETp1
A7	PERn1	B7	PETn1
A8	GROUND	B8	GROUND
A9	BP TYPE	B9	BP TYPE
A10	CWAKE#(Note1)	B10	CWAKE#
A11	GROUND	B11	GROUND
A12	VSP	B12	VSP
A13	VSP	B13	VSP
A14	GROUND	B14	GROUND
A15	PERp2	B15	PETp2
A16	PERn2	B16	PETn2
A17	GROUND	B17	GROUND
A18	PERp3	B18	PETp3
A19	PERn3	B19	PETn3
A20	GROUND	B20	GROUND
A21	RESERVED	B21	POWER 3.3vact TX
B1	RESERVED	A1	POWER 3.3vact RX
B2	GROUND	A2	GROUND
B3	PETp0	A3	PERp0
B4	PETn0	A4	PERn0
B5	GROUND	A5	GROUND
B6	PETp1	A6	PERp1
B7	PETn1	A7	PERn1
B8	GROUND	A8	GROUND
B9	2-WIRE CLOCK	A9	2-WIRE CLOCK
B10	2-WIRE DATA	A10	2-WIRE DATA
B11	GROUND	A11	GROUND
B12	PERST#	A12	PERST#
B13	CPRSNT#	A13	CPRSNT#
B14	GROUND	A14	GROUND
B15	PETp2	A15	PERp2
B16	PETn2	A16	PERn2
B17	GROUND	A17	GROUND
B18	PETp3	A18	PERp3
B19	PETn3	A19	PERn3
B20	GROUND	A20	GROUND
B21	POWER 3.3vact TX	A21	RESERVED

WIRE TABLE



LABEL DETAIL

5	HMTBD00501	EXPANDO TUBE:OD=5MM,BLACK,VW-1,HF	A/R
4	HMLSB57262	LABEL:57*26MM,BLANK,WHT,R2,HF	1
3	HMMTP00012	ACETATE TAPE:W=1INCH,HF	A/R
2	OCL42-0003	MiniLink,42POS,CONNECTOR, STR WITH ACTIVE LATCH	2
1	HWSS320020	SAS CBL:UL20744,32#2C+2C+A+HM,BLU,85Ω,VW-1,HF,24G	A/R
ITEM	P/N	DESCRIPTION	QTY

This drawing is the property of Serial Cables and is delivered on the express condition that it is not to be disclosed, reproduced or used, in whole or in part, for manufacture or sale by anyone other than Serial Cables without its prior consent, and that no right is granted to disclose or use any information in this drawing.



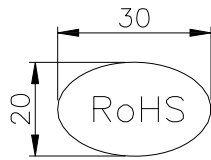
GENERAL TOLERANCES		DRAWN:		DATE:	
.X:	± 0.5	HARVEY HUANG		11/07/2016	
.XX:	± 0.3	CHECKED:		DATE:	
.XXX:	± 0.01	KOCHI HU		11/07/2016	
ANGULAR:	± 1'	APPROVED:		DATE:	
		DAVID CHAN		11/07/2016	

TITLE: SC P/N:RSC42-0372 OCULINK 4X STR TO STR		
DWG. No.: RML42-0372		
SCALE: NONE		SHEET 1 OF 2
UNIT: MM	SIZE: A4	REV.: AX1

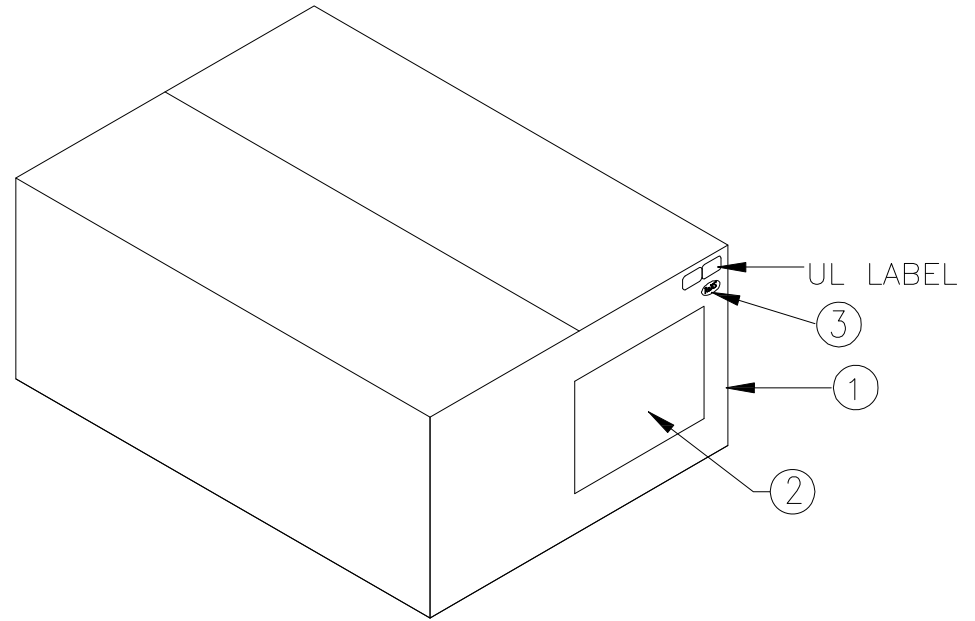
The marking on this product doesn't contain environmental hazardous materials per directive 2011/65/EU for RoHS compliance.

REVISIONS					
ECN NO.	REV.	DESCRIPTIONS	CHECKED	APPROVED	DATE
REL.					

LABEL 2
 PN: RSC42-0372/RML42-0372



LABEL 3



3	RMLSW30201	RoHS LABEL:30*20MM, LABEL5 INFO	1
2	RMLSB00401	LABEL3:100*40MM,WHT,BLANK,R2	1
1	RMBCTN0019	CARTON:590*240*200MM E TYPE	1
ITEM	PART NUMBER	DESCRIPTION	Q'TY

GENERAL TOLERANCES

.X:	± 0.5
.XX:	± 0.3
.XXX:	± 0.01
ANGULAR:	± 1°

This drawing is the property of Serial Cables and is delivered on the express condition that it is not to be disclosed, reproduced or used, in whole or in part, for manufacture or sale by anyone other than Serial Cables without its prior consent, and that no right is granted to disclose or use any information in this drawing.



DRAWN:	HARVEY HUANG	DATE:	11/07/2016
CHECKED:	KOCHI HU	DATE:	11/07/2016
APPROVED:	DAVID CHAN	DATE:	11/07/2016

TITLE: SC P/N:RSC42-0372 OCULINK 4X STR TO STR		
DWG. No.: RML42-0372		
	SCALE: NONE	SHEET 2 OF 2
UNIT: MM	SIZE: A4	REV.: AX1