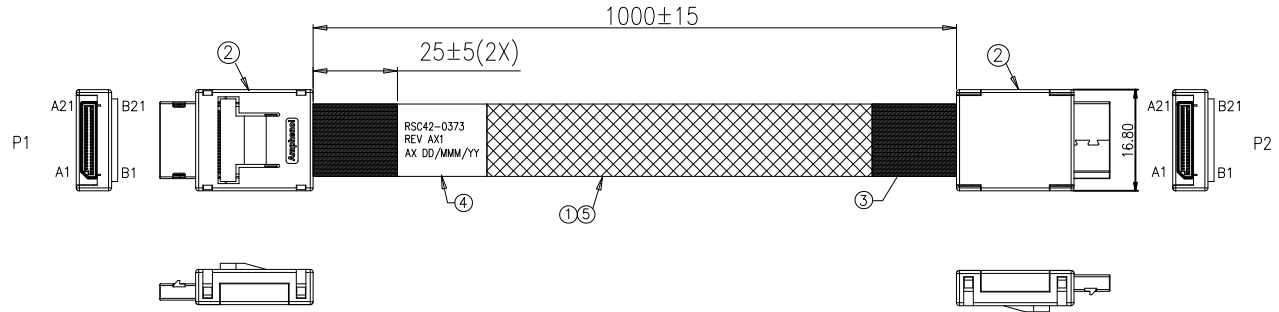


The marking on this product doesn't contain environmental hazardous materials per directive 2011/65/EU for RoHS compliance.

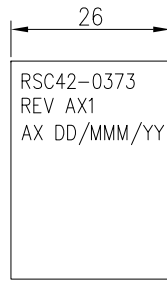
REVISIONS					
ECN NO.	REV.	DESCRIPTIONS	CHECKED	APPROVED	DATE
REV.	AX1	INITIAL RELEASE	KOCHI	DAVID	11/07/2016

- NOTE:
 1. THE CABLE ASSEMBLY SHALL BE MEET R&HS2.0 COMPLIANT.
 该产品通过RoHS2.0认证。
 2. THE CABLE ASSEMBLY SHALL MEET BELOW IMPEDANCE REQUIREMENT:
 TERMINATION AREA: 85±15% OHMS, CABLE ABSOLUTE AREA: 85±10% OHMS.
 该产品满足下面阻抗特性: 接触区域85±15% 欧姆, 线材为85±10% 欧姆。
 3. ELECTRICAL AND MECHANICAL PERFORMANCE SHOULD MEET THE SAS4.0 INDUSTRIAL STARDAND.
 电气和机械特性遵循SAS4.0工业标准。



P1		P2	
A1	B1		
A2	B2		
A3	B3		
A4	B4		
A5	B5		
A6	B6		
A7	B7		
A8	B8		
SB7	B9		
SB4	B10		
SB3	B11		
SB+	B12		
SB-	B13		
A14	B14		
A15	B15		
A16	B16		
A17	B17		
A18	B18		
A19	B19		
A20	B20		
A21	B21		
B1	A1		
B2	A2		
B3	A3		
B4	A4		
B5	A5		
B6	A6		
B7	A7		
B8	A8		
SB0	A9		
SB1	A10		
SB2	A11		
SB5	A12		
SB6	A13		
B14	A14		
B15	A15		
B16	A16		
B17	A17		
B18	A18		
B19	A19		
B20	A20		
B21	A21		

WIRE TABLE



LABEL DETAIL

5	HMTBD00501	EXPANDO TUBE:OD=5MM,BLACK,VW-1,HF	A/R
4	HMLSB57262	LABEL:57*26MM,BLANK,WHT,R2,HF	1
3	HMMTP00012	ACETATE TAPE:W=1INCH,HF	A/R
2	OCL42-0003	MiniLink,42POS,CONNECTOR, STR WITH ACTIVE LATCH	2
1	HWSS320020	SAS CBL:UL20744,32#2C+2C+A+HM,BLU,85Ω,VW-1,HF,24G	A/R
ITEM	P/N	DESCRIPTION	QTY

This drawing is the property of Serial Cables and is delivered on the express condition that it is not to be disclosed, reproduced or used, in whole or in part, for manufacture or sale by anyone other than Serial Cables without its prior consent, and that no right is granted to disclose or use any information in this drawing.



GENERAL TOLERANCES	
.X:	± 0.5
.XX:	± 0.3
.XXX:	± 0.01
ANGULAR:	± 1°

DRAWN:	HARVEY HUANG	DATE:	11/07/2016
CHECKED:	KOCHI HU	DATE:	11/07/2016
APPROVED:	DAVID CHAN	DATE:	11/07/2016

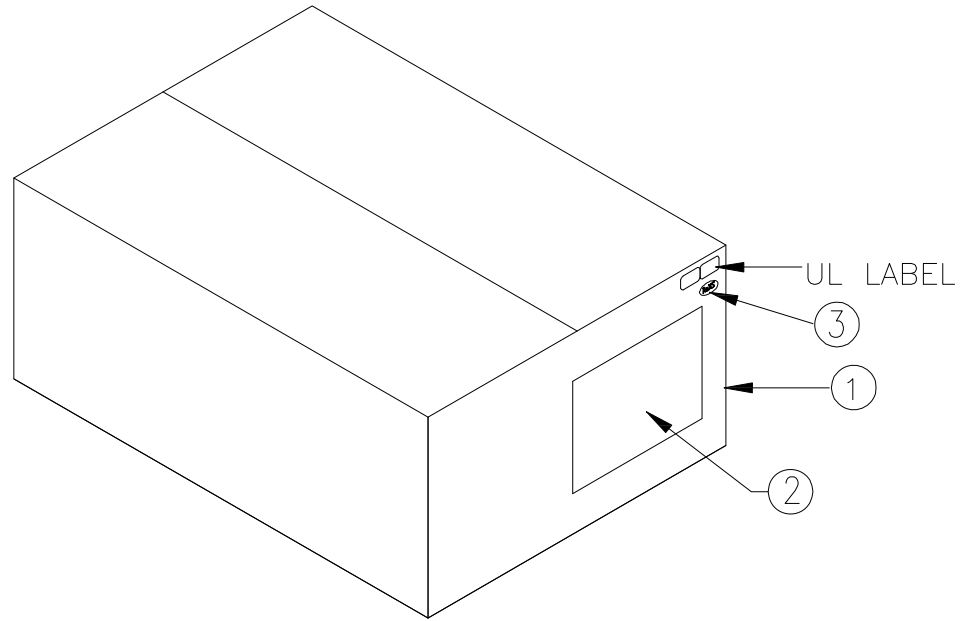
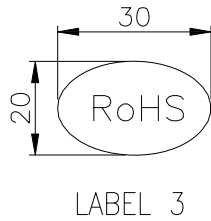
TITLE: SC P/N:RSC42-0373 OCULINK 4X STR TO STR		
DWG. No.: RML42-0373		
SCALE: NONE	SHEET 1 OF 2	
UNIT: MM	SIZE: A4	REV.: AX1

The marking on this product doesn't contain environmental hazardous materials per directive 2011/65/EU for RoHS compliance.

REVISIONS					
ECN NO.	REV.	DESCRIPTIONS	CHECKED	APPROVED	DATE
REL.					

LABEL 2

PN: RSC42-0373/RML42-0373



3	RMLSW30201	RoHS LABEL:30*20MM, LABEL5 INFO	1
2	RMLSB00401	LABEL3:100*40MM,WHT,BLANK,R2	1
1	RMBCTN0019	CARTON:590*240*200MM E TYPE	1
ITEM	PART NUMBER	DESCRIPTION	Q'TY

GENERAL TOLERANCES

.X:	± 0.5
.XX:	± 0.3
.XXX:	± 0.01
ANGULAR:	± 1°

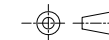
This drawing is the property of Serial Cables and is delivered on the express condition that it is not to be disclosed, reproduced or used, in whole or in part, for manufacture or sale by anyone other than Serial Cables without its prior consent, and that no right is granted to disclose or use any information in this drawing.



DRAWN:	HARVEY HUANG	DATE:	11/07/2016
CHECKED:	KOCHI HU	DATE:	11/07/2016
APPROVED:	DAVID CHAN	DATE:	11/07/2016

TITLE:
SC P/N:RSC42-0373
OCULINK 4X STR TO STR

DWG. No.: RML42-0373



SCALE:	NONE	SHEET	2 OF 2
UNIT:	MM	SIZE:	A4
REV.:	AX1		