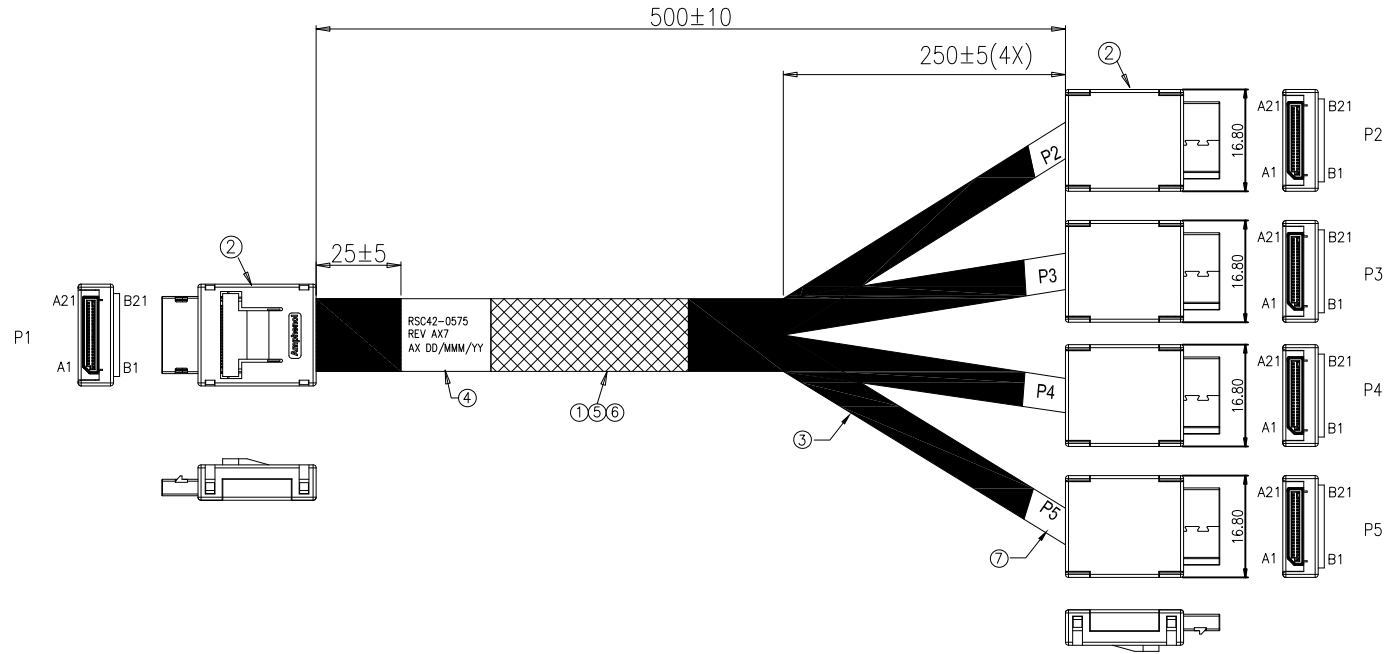


The marking on this product doesn't contain environmental hazardous materials per directive 2011/65/EU for RoHS compliance.

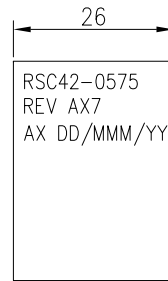
- NOTE:  
 1. THE CABLE ASSEMBLY SHALL BE MEET RoHS2.0 COMPLIANT.  
 该产品通过RoHS2.0认证。  
 2. THE CABLE ASSEMBLY SHALL MEET BELOW IMPEDANCE REQUIREMENT:  
 TERMINATION AREA: 85±15% OHMS, CABLE ABSOLUTE AREA: 85±10% OHMS.  
 该产品满足下面阻抗特性: 接触区域85±15% 欧姆, 线材为85±10% 欧姆。  
 3. ELECTRICAL AND MECHANICAL PERFORMANCE SHOULD MEET THE PCIE Gen3 INDUSTRIAL STARDAND.  
 电气和机械特性遵循PCIE Gen3工业标准。

REVISIONS					
ECN NO.	REV.	DESCRIPTIONS	CHECKED	APPROVED	DATE
	REV.	AX4	HANK	KASUN	07/26/2017
		AX5	HANK	KASUN	07/28/2017
		AX6	HANK	KASUN	08/10/2017
		AX7	JUSTIN	KASUN	09/11/2017



P1			P2			P3			P4			P5		
A1	RESERVED		B2	GROUND		A2	GROUND		B2	GROUND		A2	GROUND	
A2	GROUND		B3	PETp0		A3	PERp0		B3	PETp0		A3	PERp0	
A3	PERp0		B4	PETn0		A4	PERn0		B4	PETn0		A4	PERn0	
A4	PERn0		A2	GROUND		A2	GROUND		A2	GROUND		A2	GROUND	
B2	GROUND		A3	PERp0		A3	PERp0		A3	PERp0		A3	PERp0	
B3	PETp0		A4	PERn0		A4	PERn0		A4	PERn0		A4	PERn0	
B4	PETn0		A5	GROUND		A5	GROUND		A5	GROUND		A5	GROUND	
A8	GROUND		B9	BP TYPE		B9	BP TYPE		B9	BP TYPE		B9	BP TYPE	
A9	BP TYPE		B10	CWAKE#		B10	CWAKE#		B10	CWAKE#		B10	CWAKE#	
A10	CWAKE#		B12	VSP/REFCLK		B12	VSP/REFCLK		B12	VSP/REFCLK		B12	VSP/REFCLK	
A11	GND		B13	VSP/REFCLK		B13	VSP/REFCLK		B13	VSP/REFCLK		B13	VSP/REFCLK	
A12	VSP/REFCLK		B2	GROUND		B2	GROUND		B2	GROUND		B2	GROUND	
A13	VSP/REFCLK		B3	PETp0		B3	PETp0		B3	PETp0		B3	PETp0	
A5	GROUND		B4	PETn0		B4	PETn0		B4	PETn0		B4	PETn0	
A6	PERp1		A2	GROUND		A2	GROUND		A2	GROUND		A2	GROUND	
A7	PERn1		A3	PERp0		A3	PERp0		A3	PERp0		A3	PERp0	
B5	GROUND		A4	PERn0		A4	PERn0		A4	PERn0		A4	PERn0	
B6	PETp1		A5	GROUND		A5	GROUND		A5	GROUND		A5	GROUND	
B7	PETn1		B1	RESERVED		B1	RESERVED		B1	RESERVED		B1	RESERVED	
B8	GROUND		A14	GROUND		A14	GROUND		A14	GROUND		A14	GROUND	
A21	RESERVED		A15	PERp2		A15	PERp2		A15	PERp2		A15	PERp2	
B1	RESERVED		A16	PERn2		A16	PERn2		A16	PERn2		A16	PERn2	
A14	GROUND		B14	GROUND		B14	GROUND		B14	GROUND		B14	GROUND	
A15	PERp2		B15	PETp2		B15	PETp2		B15	PETp2		B15	PETp2	
A16	PERn2		B16	PETn2		B16	PETn2		B16	PETn2		B16	PETn2	
B14	GROUND		B17	GROUND		B17	GROUND		B17	GROUND		B17	GROUND	
B15	PETp2		B9	I2C/SMBUS		B9	I2C/SMBUS		B9	I2C/SMBUS		B9	I2C/SMBUS	
B16	PETn2		B10	I2C/SMBUS		B10	I2C/SMBUS		B10	I2C/SMBUS		B10	I2C/SMBUS	
B17	GROUND		B11	GND		B11	GND		B11	GND		B11	GND	
B9	I2C/SMBUS		B12			B12			B12			B12		
B10	I2C/SMBUS		B13			B13			B13			B13		
B11	GND		A17	GROUND		A17	GROUND		A17	GROUND		A17	GROUND	
B12			A18	PERp3		A18	PERp3		A18	PERp3		A18	PERp3	
B13			A19	PERn3		A19	PERn3		A19	PERn3		A19	PERn3	
A17	GROUND		A20	GROUND		A20	GROUND		A20	GROUND		A20	GROUND	
A18	PERp3		B18	PETp3		B18	PETp3		B18	PETp3		B18	PETp3	
A19	PERn3		B19	PETn3		B19	PETn3		B19	PETn3		B19	PETn3	
A20	GROUND		B20	GROUND		B20	GROUND		B20	GROUND		B20	GROUND	
B18	PETp3		B21	RESERVED		B21	RESERVED		B21	RESERVED		B21	RESERVED	
B19	PETn3													
B20	GROUND													
B21	RESERVED													

WIRE TABLE



LABEL DETAIL

7	HMLSB07301	LABEL:Synthetic Paper,7*30MM,WHT,HF	4
6	H0330232XX	WIRE,32AWG,UL3302,7/0.08,0D0.45,HF,VW-1,NO MARKING	A/R
5	HMTBD00501	EXPANDO TUBE:OD=5MM,BLACK,VW-1,HF	A/R
4	HMLSB57262	LABEL:57*26MM,BLANK,WHT,R2,HF	1
3	HMMTP00012	ACETATE TAPE:W=1INCH,HF	A/R
2	OCL42-0003	MiniLink,42POS,CONNECTOR, STR WITH ACTIVE LATCH	5
1	RWSS320006	SAS CBL:32#2C+2D+AM+HM,0D0.65*1.56,BLU,85Q,VW-1	A/R
ITEM	P/N	DESCRIPTION	QTY

GENERAL TOLERANCES

.X:	± 0.5
.XX:	± 0.3
.XXX:	±
ANGULAR:	± 1°

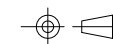
This drawing is the property of Serial Cables and is delivered on the express condition that it is not to be disclosed, reproduced or used, in whole or in part, for manufacture or sale by anyone other than Serial Cables without its prior consent, and that no right is granted to disclose or use any information in this drawing.



TITLE:

SC P/N:RSC42-0575  
 OCULINK 4X STR TO STR

DWG. No.: RML42-0575



SCALE: NONE

SHEET 1 OF 2

UNIT: MM

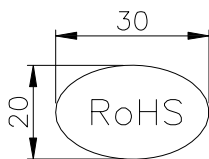
SIZE: A4

REV.: AX7

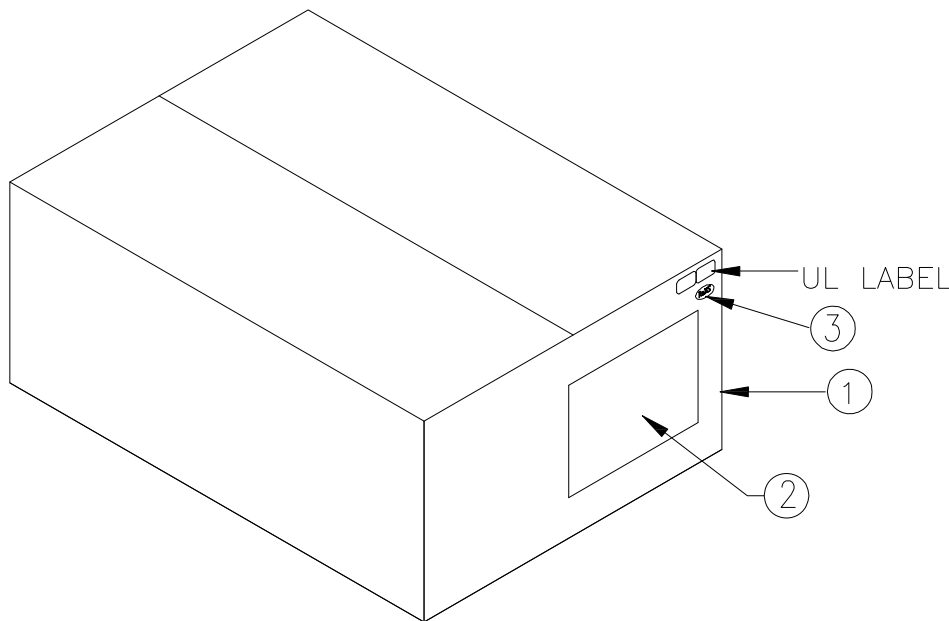
The marking on this product doesn't contain environmental hazardous materials per directive 2011/65/EU for RoHS compliance.

REVISIONS					
ECN NO.	REV.	DESCRIPTIONS	CHECKED	APPROVED	DATE
REL.					

LABEL 2  
 PN: RSC42-0575/RML42-0575



LABEL 3



3	RMLSW30201	RoHS LABEL:30*20MM, LABEL5 INFO	1
2	RMLSB00401	LABEL3:100*40MM,WHT,BLANK,R2	1
1	RMBCTN0019	CARTON:590*240*200MM E TYPE	1
ITEM	PART NUMBER	DESCRIPTION	Q'TY

GENERAL TOLERANCES

.X:	± 0.5
.XX:	± 0.3
.XXX:	±
ANGULAR:	± 1°

This drawing is the property of Serial Cables and is delivered on the express condition that it is not to be disclosed, reproduced or used, in whole or in part, for manufacture or sale by anyone other than Serial Cables without its prior consent, and that no right is granted to disclose or use any information in this drawing.



DRAWN:	NATHAN CAO	DATE:	09/11/2017
CHECKED:	JUSTIN OU	DATE:	09/11/2017
APPROVED:	KASUN LI	DATE:	09/11/2017

TITLE:		
SC P/N:RSC42-0575 OCULINK 4X STR TO STR		
DWG. No.: RML42-0575		
SCALE: NONE	SHEET 2 OF 2	
UNIT: MM	SIZE: A4	REV.: AX7

