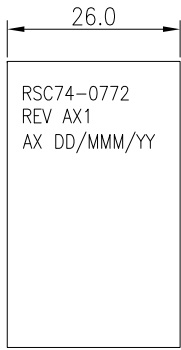
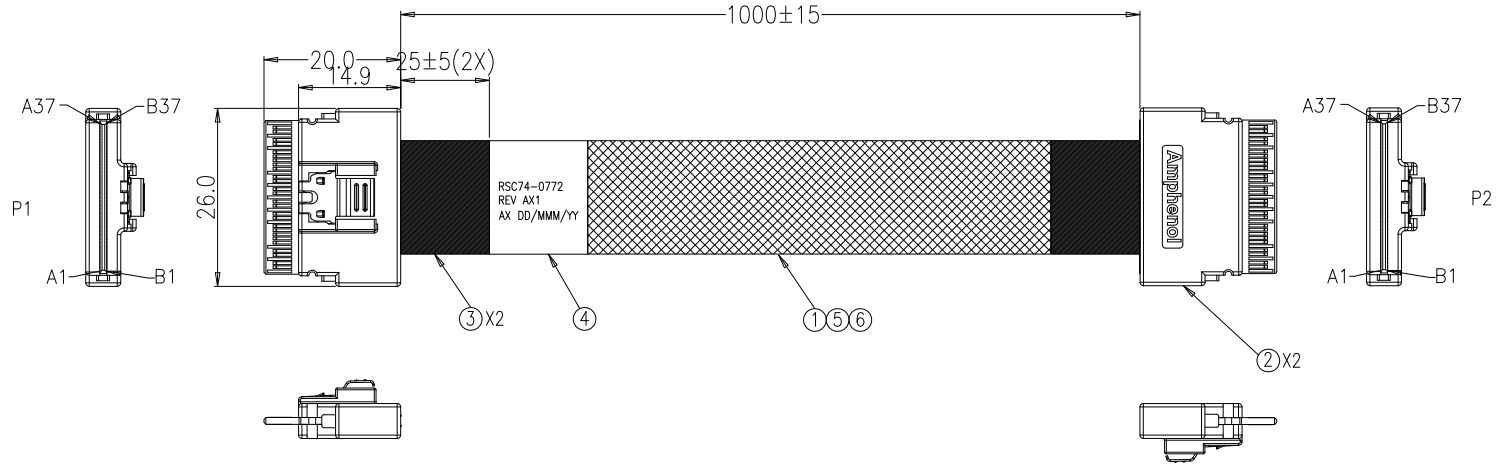


The marking on this product doesn't contain environmental hazardous materials per directive 2011/65/EU for RoHS compliance.

REVISIONS					
ECN NO.	REV.	DESCRIPTIONS	CHECKED	APPROVED	DATE
REV.	AX1	INITIAL RELEASE	KOCHI	DAVID	11/07/2016

- NOTE:
1. THE CABLE ASSEMBLY SHOULD BE RoHS2.0 COMPLIANT.
该产品通过RoHS2.0认证。
 2. ELECTRICAL AND MECHANICAL PERFORMANCE SHOULD MEET THE SAS4.0 INDUSTRIAL STANDARD.
电气和机械特性遵循SAS4.0工业标准。



LABEL DETAIL

6	H03302320X	WIRE,32AWG,UL3302,7/0.08,HF,VW-1,NO MARKING	A/R
5	HMTBD01001	EXPANDO TUBE:OD=10MM,BLACK,VW-1,HF	A/R
4	HMLSB70261	LABEL 70*26MM WHITE,R2,HF	1
3	HMMTP00012	ACETATE TAPE:W=1INCH,HF	A/R
2	AST8654-0074-01	SLIMLINE 74P CONNECTOR	2
1	HWSS300076	SAS CBL:30AWG,Loose,85ohm,VW-1,HF,24G	A/R
ITEM	P/N	DESCRIPTION	QTY

This drawing is the property of Serial Cables and is delivered on the express condition that it is not to be disclosed, reproduced or used, in whole or in part, for manufacture or sale by anyone other than Serial Cables without its prior consent, and that no right is granted to disclose or use any information in this drawing.



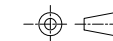
GENERAL TOLERANCES

.X:	± 0.5
.XX:	± 0.3
.XXX:	± 0.01
ANGULAR:	± 1°

DRAWN:	HARVEY HUANG	DATE:	11/07/2016
CHECKED:	KOCHI HU	DATE:	11/07/2016
APPROVED:	DAVID CHAN	DATE:	11/07/2016

TITLE:
SC P/N:RSC74-0772
SAS SLIMLINE 8i PLUG TO 8i PLUG CABLE ASSEMBLY

DWG. No.: RSL74-0772



SCALE: NONE

SHEET 1 OF 3

UNIT: MM

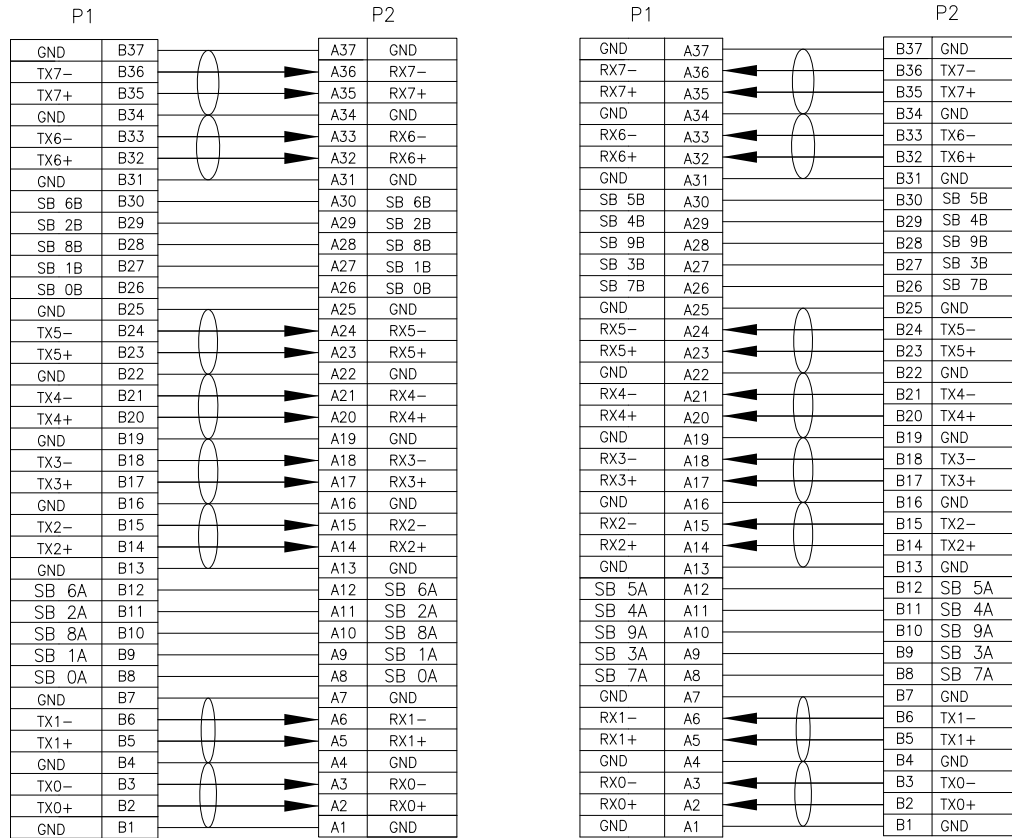
SIZE: A4

REV.: AX1

The marking on this product doesn't contain environmental hazardous materials per directive 2011/65/EU for RoHS compliance.

REVISIONS

ECN NO.	REV.	DESCRIPTIONS	CHECKED	APPROVED	DATE
REV.					



WIRE DIAGRAM

GENERAL TOLERANCES		This drawing is the property of Serial Cables and is delivered on the express condition that it is not to be disclosed, reproduced or used, in whole or in part, for manufacture or sale by anyone other than Serial Cables without its prior consent, and that no right is granted to disclose or use any information in this drawing.	
.X:	± 0.5	DRAWN:	DATE:
.XX:	± 0.3	HARVEY HUANG	11/07/2016
.XXX:	± 0.01	CHECKED:	DATE:
ANGULAR:	± 1'	KOCHI HU	11/07/2016
		APPROVED:	DATE:
		DAVID CHAN	11/07/2016



TITLE:
SC P/N:RSC74-0772
SAS SLIMLINE 8i PLUG TO 8i PLUG CABLE ASSEMBLY

DWG. No.: RSL74-0772

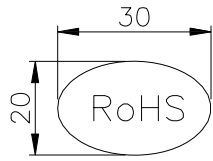
	SCALE: NONE	SHEET 2 OF 3
	UNIT: MM	SIZE: A4
		REV.: AX1

The marking on this product doesn't contain environmental hazardous materials per directive 2011/65/EU for RoHS compliance.

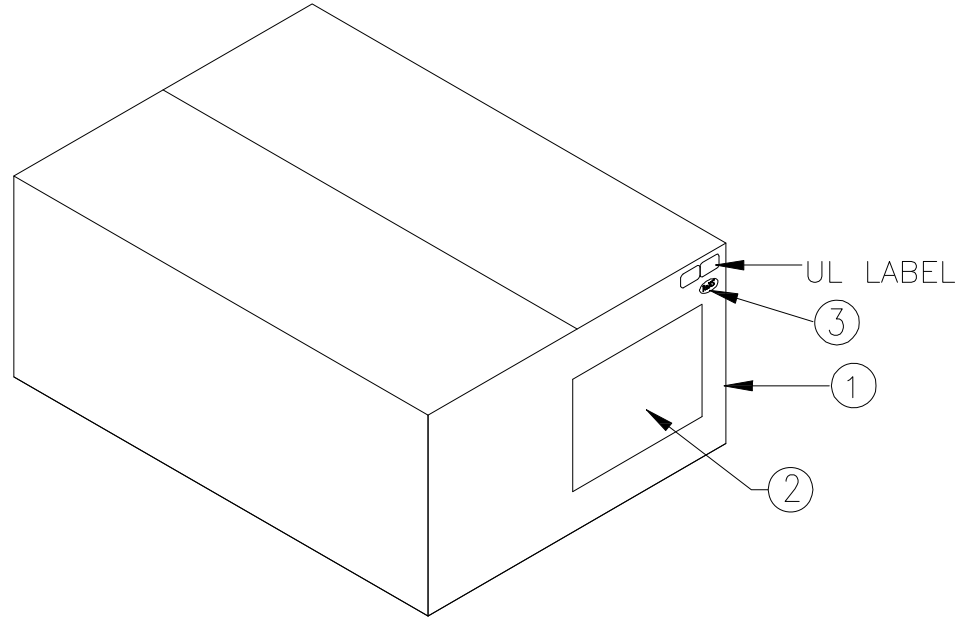
REVISIONS					
ECN NO.	REV.	DESCRIPTIONS	CHECKED	APPROVED	DATE
REL.					

LABEL 2

PN: RSC74-0772/RSL74-0772



LABEL 3



3	RMLSW30201	RoHS LABEL:30*20MM, LABEL5 INFO	1
2	RMLSB00401	LABEL3:100*40MM,WHT,BLANK,R2	1
1	RMBCTN0019	CARTON:590*240*200MM E TYPE	1
ITEM	PART NUMBER	DESCRIPTION	Q'TY

GENERAL TOLERANCES

.X:	± 0.5
.XX:	± 0.3
.XXX:	± 0.01
ANGULAR:	± 1°

This drawing is the property of Serial Cables and is delivered on the express condition that it is not to be disclosed, reproduced or used, in whole or in part, for manufacture or sale by anyone other than Serial Cables without its prior consent, and that no right is granted to disclose or use any information in this drawing.

DRAWN:	HARVEY HUANG	DATE:	11/07/2016
CHECKED:	KOCHI HU	DATE:	11/07/2016
APPROVED:	DAVID CHAN	DATE:	11/07/2016



TITLE:
SC P/N:RSC74-0772
SAS SLIMLINE 8i PLUG TO 8i PLUG CABLE ASSEMBLY

DWG. No.:	RSL74-0772	SCALE:	NONE	SHEET	3 OF 3
		UNIT:	MM	SIZE:	A4
		REV.:	AX1		