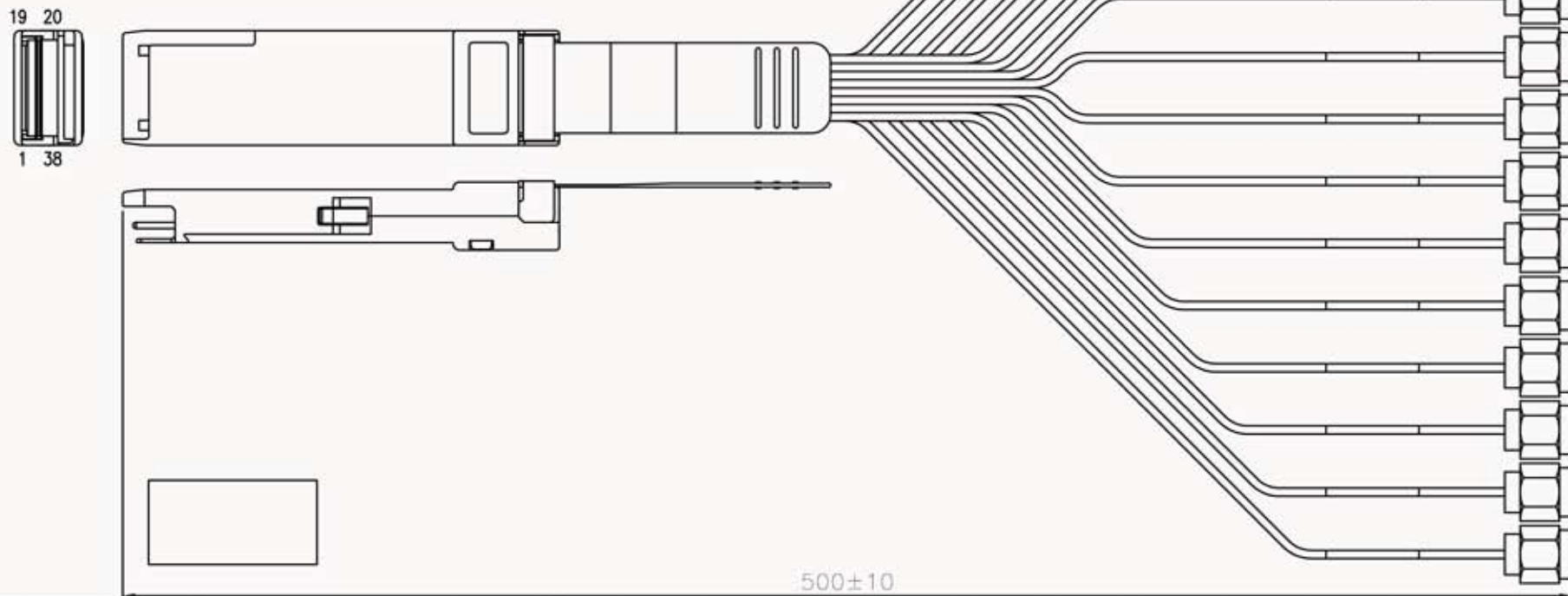


1. CABLE:
 CONDUCTOR: 30AWG 7/38 SILVER COPPER.
 INSULATION: FLUOROCARBON POLYMER.
 BRAID SHIELD: 5 ENDS 44 AWG TINNED COPPER, 92% MIN. COVERAGE.
 JACKET: FEP BLACK.
 DIAMETER: 0.052" (1.32 mm) NOMINAL.
2. CONNECTOR:
 P1: 4x-Pluggable-QSFP(SFF-8436)
 (1) PCB: FR4, 4 Layers.(SPCB-040068A, AC Coupling)
 (2) Latch: Stainless Steel with Pull Tab.
 (3) Backshell: Zinc Die Casting Hood/ Nickel Plating.
 S1~S16: SMA PLUG*16.
3. Two-Wire Serial Memory: Atmel AT24C02B EEPROM(256 Bytes),
 Digital monitoring & control function and memory page not supported.

SMA PLUG*16
 LABEL*16
 SEE WIRING DIAGRAM
 FOR LABEL INFORMATION

25.4



P/N: SA-36SMA-T

Desc. : QSFP (SFF-8436) - SMA Test Cable