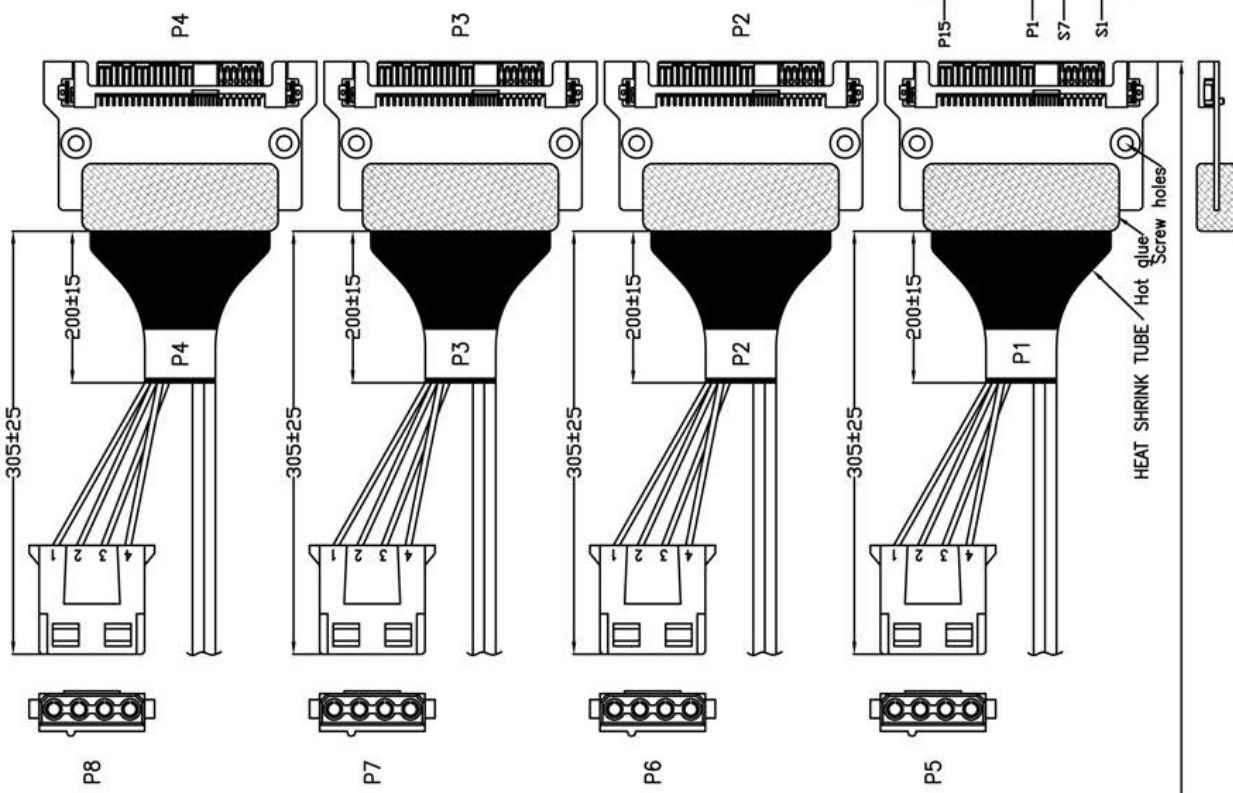
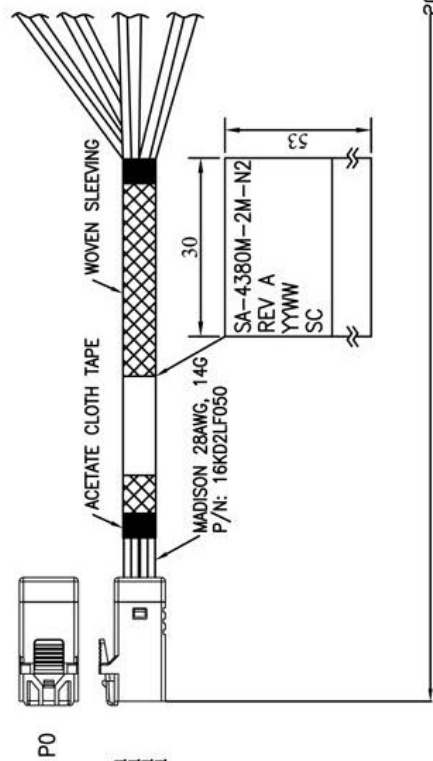
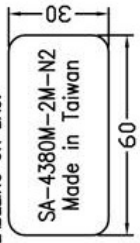




REV.	REMARK	DATE	SIGN.

MATERIAL RoHS COMPLIANT:
1.CABLE:
 CONDUCTOR: 28AWG SOLID SILVER PLATED COPPER.
 INSULATION: FOAM POLYOLEFIN.
 PAIR: 2 SINGLES LAID FLAT AND PARALLEL.
 PAIR DRAIN WIRE: 30AWG SOLID SILVER PLATED COPPER.
 PAIR SHIELD: ALUMINUM/POLYESTER TAPE, ALUMINUM SIDE FACING IN, 25% OVERLAP.
 INNER SHIELD: ALUMINUM/POLYESTER TAPE, ALUMINUM SIDE FACING OUT, 25% OVERLAP.
 DIFFERENTIAL IMPEDANCE: 100±5 OHMS @TDR
 UL LISTING: TYPE CL2 AS SPECIFIED IN ARTICLE 725 OF THE NATIONAL ELECTRICAL CODE.
2.CONNECTOR:
 PC: Mini SAS HD 4i CABLE PLUG (SFF-8643)
 (1) P.C.B: 4 LAYERS, GOLD PLATING ON CONTACT PADS, WITHOUT CARBON (P/N: MPCB-040115LF REVA / MPCB-040116LF REVA)
 (2) HOUSING: PBT, BLACK.
 P1-P4: SAS DRIVE R/A SMT PLUG (SFF-8680)(MO-00236)
 (1) P.C.B: MPCB-040137LF(MO-00237)
 P5-P8: 4. POSITION DC POWER REC.
 POWER CABLE: UL 1007 18AWG 80°C 300V
3.FOR SAS 12.0 Gbps.
4.LABELING ON BAG:



DESC.	Mini SAS HD 4i TO 4* SAS DRIVE R/A SMT PLUG WITH POWER CABLE ASSY	APPROVED	CHECKED	DESIGNED	TOLERANCE	SCALE	*	UNIT	mm
P/N	B-5283	CUSTOMER P/N	SA-4380M-2M-N2	Sino		DATE	09/14/15	DWG NO:	DWG(B)5283



REV.	REMARK	DATE	SIGN.

WIRING DIAGRAM

Mini SAS HD 4i (P0) SAS DRIVE PLUG(SFF-8680)				4P POWER REC.				
PIN	SIGNAL	PLUG	SIGNAL	REC.	PIN	SIGNAL		
B4	RX0+	P1	S2	RP+	P5	1	+12V	
B5	RX0-		S3	RP-		2	GND	
D5	TX0-		S5	TP-		4	+5V	
D4	TX0+		S6	TP+		3	GND	
GND GROUP			S1,S4,S7	GND				
			P13,P14,P15	+12V				YELLOW
		P10,P11,P12	GND			BLACK		
		P7,P8,P9	+5V			RED		
		P4,P5,P6	GND			BLACK		
		P3	NC.					
		P2						
		P1						
A4	RX1+	P2	S2	RP+	P6	1	+12V	
A5	RX1-		S3	RP-		2	GND	
C5	TX1-		S5	TP-		4	+5V	
C4	TX1+		S6	TP+		3	GND	
GND GROUP			S1,S4,S7	GND				
			P13,P14,P15	+12V				YELLOW
		P10,P11,P12	GND			BLACK		
		P7,P8,P9	+5V			RED		
		P4,P5,P6	GND			BLACK		
		P3	NC.					
		P2						
		P1						

P0 GND GROUP:
A3,A6,A9,B3,B6,B9,
C3,C6,C9,D3,D6,D9.

Mini SAS HD 4i (P0) SAS DRIVE PLUG(SFF-8680)				4P POWER REC.				
PIN	SIGNAL	PLUG	SIGNAL	REC.	PIN	SIGNAL		
B7	RX2+	P3	S2	RP+	P7	1	+12V	
B8	RX2-		S3	RP-		2	GND	
D8	TX2-		S5	TP-		4	+5V	
D7	TX2+		S6	TP+		3	GND	
GND GROUP			S1,S4,S7	GND				
			P13,P14,P15	+12V				YELLOW
		P10,P11,P12	GND			BLACK		
		P7,P8,P9	+5V			RED		
		P4,P5,P6	GND			BLACK		
		P3	NC.					
		P2						
		P1						
A7	RX3+	P4	S2	RP+	P8	1	+12V	
A8	RX3-		S3	RP-		2	GND	
C8	TX3-		S5	TP-		4	+5V	
C7	TX3+		S6	TP+		3	GND	
GND GROUP			S1,S4,S7	GND				
			P13,P14,P15	+12V				YELLOW
		P10,P11,P12	GND			BLACK		
		P7,P8,P9	+5V			RED		
		P4,P5,P6	GND			BLACK		
		P3	NC.					
		P2						
		P1						



DESC. Mini SAS HD 4i TO 4*SAS DRIVE R/A SMT PLUG WITH POWER CABLE ASSY
P/N B-5283 CUSTOMER P/N

DESIGNED Sino
CHECKED
APPROVED
TOLERANCE

SCALE *
DATE 09/14/15 DWG NO: DWG\B\5283
UNIT mm