

REV.	REMARK	DATE	SIGN.

RoHS

**MATERIAL RoHS COMPLIANT:**

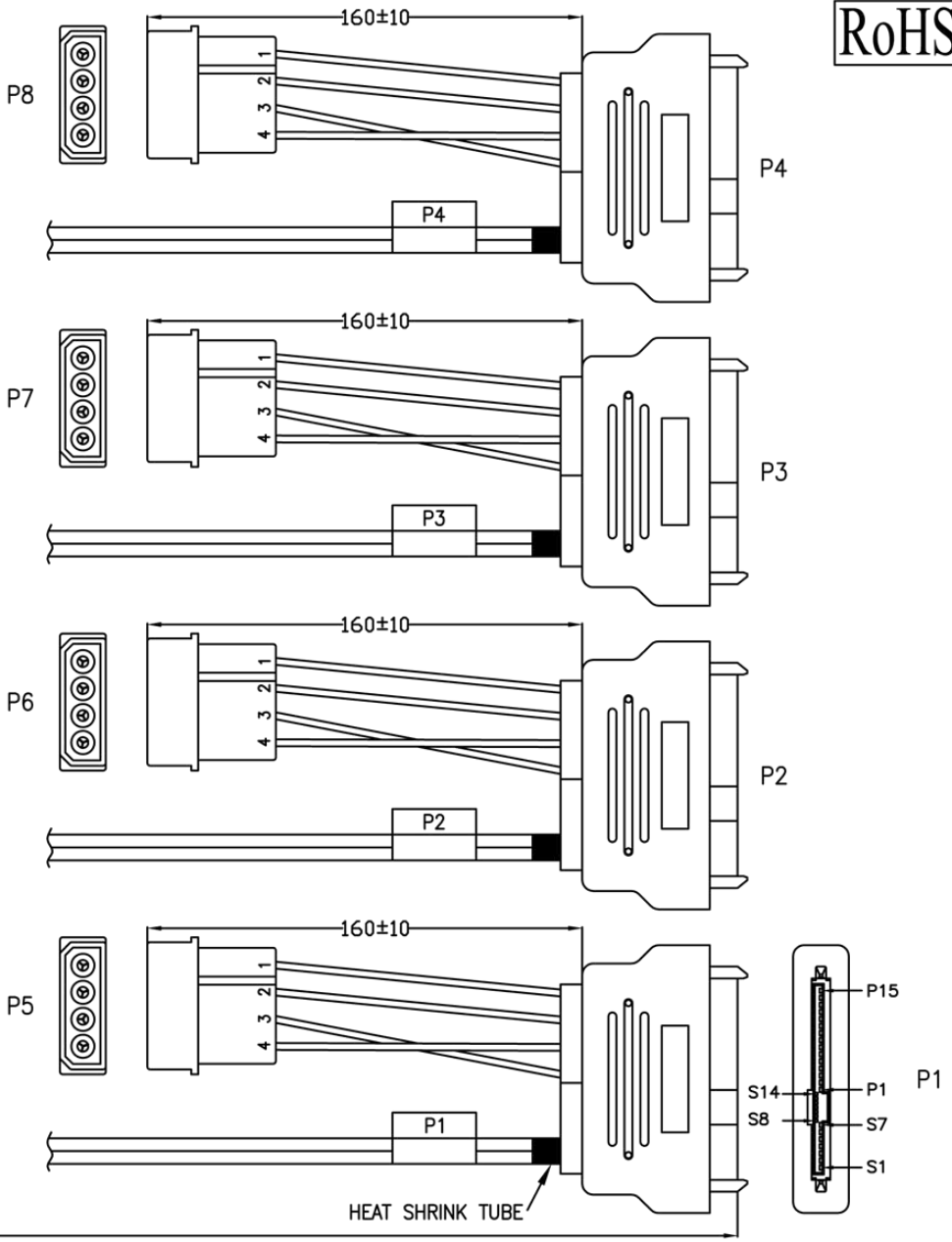
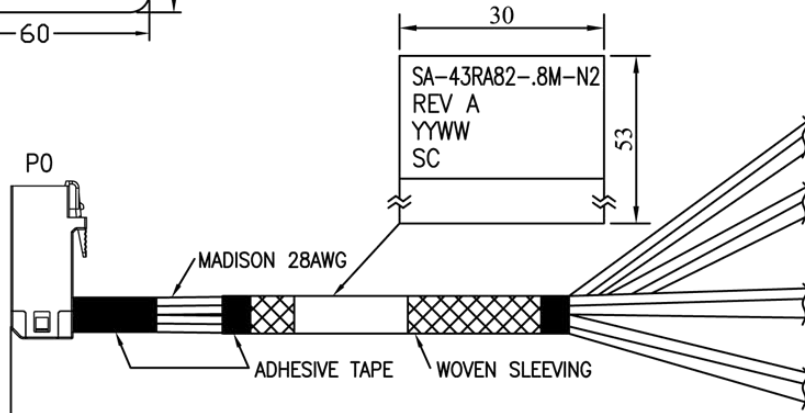
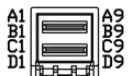
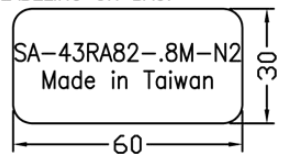
**1.CABLE:**

CONDUCTOR: 28AWG SOLID SILVER PLATED COPPER.  
 INSULATION: POLYOLEFIN.  
 PAIR: 2 SINGLES LAID FLAT AND PARALLEL.  
 PAIR DRAIN WIRE: 30AWG SOLID SILVER PLATED COPPER.  
 PAIR SHIELD: ALUMINUM/POLYESTER TAPE. ALUMINUM SIDE FACING IN, 25% OVERLAP.  
 INNER SHIELD: ALUMINUM/POLYESTER TAPE, ALUMINUM SIDE PACING OUT, 25% OVERLAP.  
 DIFFERENTIAL IMPEDANCE: 100±5 OHMS @TDR  
 UL LISTING: TYPE CL2 AS SPECIFIED IN ARTICLE 725 OF THE NATIONAL ELECTRICAL CODE. TURBO TWIN™ ,MADISON

**2.CONNECTOR:**

P0: Mini SAS HD 4i CABLE PLUG (SFF-8643)  
 (1) P.C.B: 4 LAYERS, GOLD PLATING ON CONTACT PADS, WITHOUT CARBON (P/N: MPCB-040115LF REV.A / MPCB-040116LF REV.A)  
 (2) HOUSING: PBT, BLACK.  
 P1-P4: SAS DRIVE REC.(SFF-8482)  
 P5-P8: 4 POSITION DC POWER PLUG  
 POWER CABLE: UL 1007 18AWG 80°C 300V

**3.LABELING ON BAG:**



800±30



Cable design and drawings are proprietary property of Serial Cables and no copying, reverse engineering or alterations to the drawing may be made without prior written authorization from Serial Cables.



DESC.	Mini SAS HD 4i TO 4*SAS drive cable rec. with power cable ass'y	APPROVED	CHECKED	DESIGNED	TOLERANCE	SCALE	*	UNIT	mm	
P/N	UASS-RC006133	CUSTOMER P/N	SA-43RA82-.8M-N2	Sino		DATE	03/29/13	DWG NO:	DWG\RC\6133	

REV.	REMARK	DATE	SIGN.

WIRING DIAGRAM

Mini SAS HD 4i (P0)		SAS DRIVE REC.		4P POWER PLUG				
PIN	SIGNAL	REC.	PIN	SIGNAL	PLUG	PIN	SIGNAL	
B4	RX0+	P1	S6	TP+	P5	1	+12V	YELLOW
B5	RX0-		S5	TP-				
D5	TX0-		S3	RP-				
D4	TX0+		S2	RP+				
GND GROUP			S1,S4,S7	GND				
			P13,P14,P15	+12V		2	GND	BLACK
			P10,P11,P12	GND		4	+5V	RED
			P7,P8,P9	+5V		3	GND	BLACK
			P4,P5,P6	GND				
A4	RX1+	P2	S6	TP+	P6	1	+12V	YELLOW
A5	RX1-		S5	TP-				
C5	TX1-		S3	RP-				
C4	TX1+		S2	RP+				
GND GROUP			S1,S4,S7	GND				
			P13,P14,P15	+12V		2	GND	BLACK
			P10,P11,P12	GND		4	+5V	RED
			P7,P8,P9	+5V		3	GND	BLACK
			P4,P5,P6	GND				
B7	RX2+	P3	S6	TP+	P7	1	+12V	YELLOW
B8	RX2-		S5	TP-				
D8	TX2-		S3	RP-				
D7	TX2+		S2	RP+				
GND GROUP			S1,S4,S7	GND				
			P13,P14,P15	+12V		2	GND	BLACK
			P10,P11,P12	GND		4	+5V	RED
			P7,P8,P9	+5V		3	GND	BLACK
			P4,P5,P6	GND				
A7	RX3+	P4	S6	TP+	P8	1	+12V	YELLOW
A8	RX3-		S5	TP-				
C8	TX3-		S3	RP-				
C7	TX3+		S2	RP+				
GND GROUP			S1,S4,S7	GND				
			P13,P14,P15	+12V		2	GND	BLACK
			P10,P11,P12	GND		4	+5V	RED
			P7,P8,P9	+5V		3	GND	BLACK
			P4,P5,P6	GND				

P0 GND GROUP:  
A3,A6,A9,B3,B6,B9,  
C3,C6,C9,D3,D6,D9.

 Cable design and drawings are proprietary property of Serial Cables and no copying, reverse engineering or alterations to the drawing may be made without prior written authorization from Serial Cables.	DESC.	Mini SAS HD 4i TO 4*SAS drive cable rec. with power cable ass'y	APPROVED	CHECKED	DESIGNED	TOLERANCE	SCALE	*	UNIT	mm	
	P/N	UASS-RC006133	CUSTOMER P/N			Sino		DATE	03/29/'13	DWG NO:	DWG\RC\6133