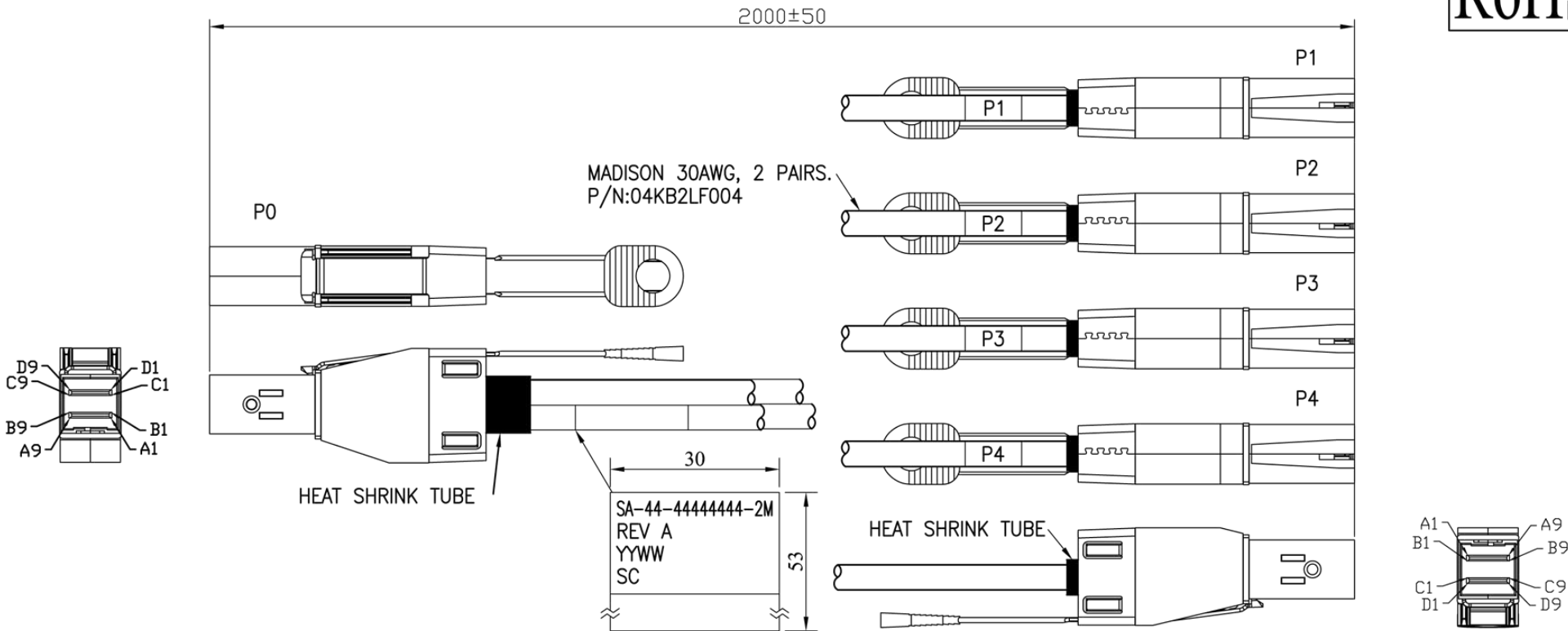


REV.	REMARK	DATE	SIGN.

RoHS



MATERIAL RoHS COMPLIANT:

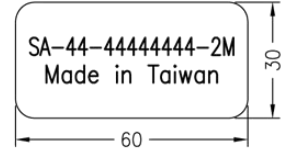
1.CABLE:
 CONDUCTOR: 30 AWG SOLID SILVER PLATED COPPER.
 INSULATION: FOAM POLYOLEFIN, COLOR - NATURAL.
 PAIR: 2 SINGLES LAID FLAT AND PARALLEL.
 CORE: 2 PAIRS
 PAIR DRAIN: 30 AWG SOLID SILVER PLATED COPPER.
 PAIR SHIELD: ALUMINUM/POLYESTER TAPE, ALUMINUM SIDE FACING IN.
 INNER SHIELD: ALUMINUM/POLYESTER/ALUMINUM TAPE, 25% OVERLAP.
 OUTER SHIELD: 38 AWG TIN PLATED COPPER BRAID, 85% COVERAGE.
 JACKET: XPBT, COLOR - BLACK.
DIAMETER: 4.445±0.254 MM
 DIFFERENTIAL IMPEDANCE: 100 ± 5 OHM @TDR.
 PRINTED LEGEND: "MADISON CABLE (UL) TYPE CL2 75°C 30 AWG
 CSA AWM II A/B 75C 30V FT4 TurboTwin™ 10G 101-6869 RoHS COMPLIANT {D/C}"
 APPROVAL: UL TYPE CL2 AS SPECIFIED IN ARTICLE 725 OF THE NATIONAL ELECTRICAL CODE.

2.CONNECTOR:

P0-P4: Mini SAS HD 4x CABLE PLUG (SFF-8644)
 (1) P.C.B: 6 LAYERS, GOLD PLATING ON CONTACT PADS.
 (2) LATCH: STAINLESS STEEL
 (3) BACKSHELL- ZINC DIE CASTING HOOD/ NICKEL PLATING
 (4) PULL TAB: NYLON UL94V-0, COLOR: BLUE.
 (5) EMI GASKET.

3.TWO-WIRED SERIAL MEMORY: ATMEL AT24C02B EEPROM (256 BYTES).

4.LABELING ON BAG:



DESC.	Mini SAS HD 4x/Mini SAS HD 4x*4 CABLE ASS'Y	APPROVED	CHECKED	DESIGNED	TOLERANCE	SCALE	*	UNIT	mm	
P/N	UASS-RC005359	CUSTOMER P/N	SA-44-4444444-2M	Sino		DATE	04/10/'12	DWG NO:	DWG\RC\5359	

REV.	REMARK	DATE	SIGN.

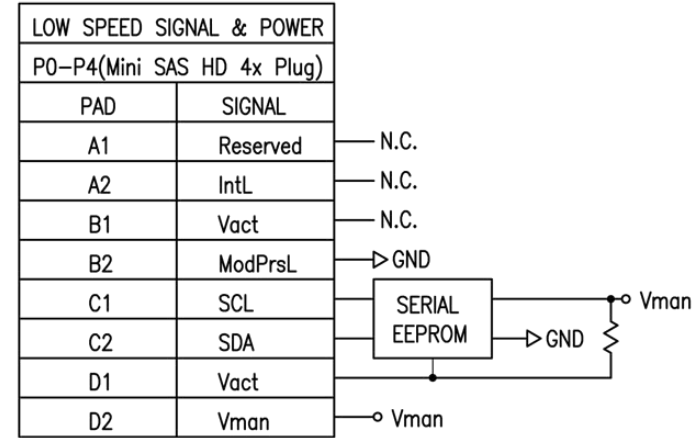
WIRING DIAGRAM

HIGH SPEED SIGNAL			
P0(Mini SAS HD 4x Plug)		Mini SAS HD 4x Plug	
PIN	SIGNAL	PAD	SIGNAL
B4	RX0+	D4	TX0+
B5	RX0-	D5	TX0-
D4	TX0+	B4	RX0+
D5	TX0-	B5	RX0-
A4	RX1+	D4	TX0+
A5	RX1-	D5	TX0-
C4	TX1+	B4	RX0+
C5	TX1-	B5	RX0-
B7	RX2+	D4	TX0+
B8	RX2-	D5	TX0-
D7	TX2+	B4	RX0+
D8	TX2-	B5	RX0-
A7	RX3+	D4	TX0+
A8	RX3-	D5	TX0-
C7	TX3+	B4	RX0+
C8	TX3-	B5	RX0-

GND GROUP 1:
P0-A3,A6,A9,B3,B6,B9, P1,P2,P3,P4-C3,C6,C9,D3,D6,D9

GND GROUP 2:
P0-C3,C6,C9,D3,D6,D9, P1,P2,P3,P4-A3,A6,A9,B3,B6,B9

P0 Connector Shell	P1-P4 Connector Shell
--------------------	-----------------------



DESC.	Mini SAS HD 4x/Mini SAS HD 4x*4 CABLE ASS'Y	APPROVED	CHECKED	DESIGNED	TOLERANCE	SCALE	*	UNIT	mm	
P/N	UASS-RC005359	CUSTOMER P/N		Sino	*	DATE	04/10/'12	DWG NO:	DWG\RC\5359	