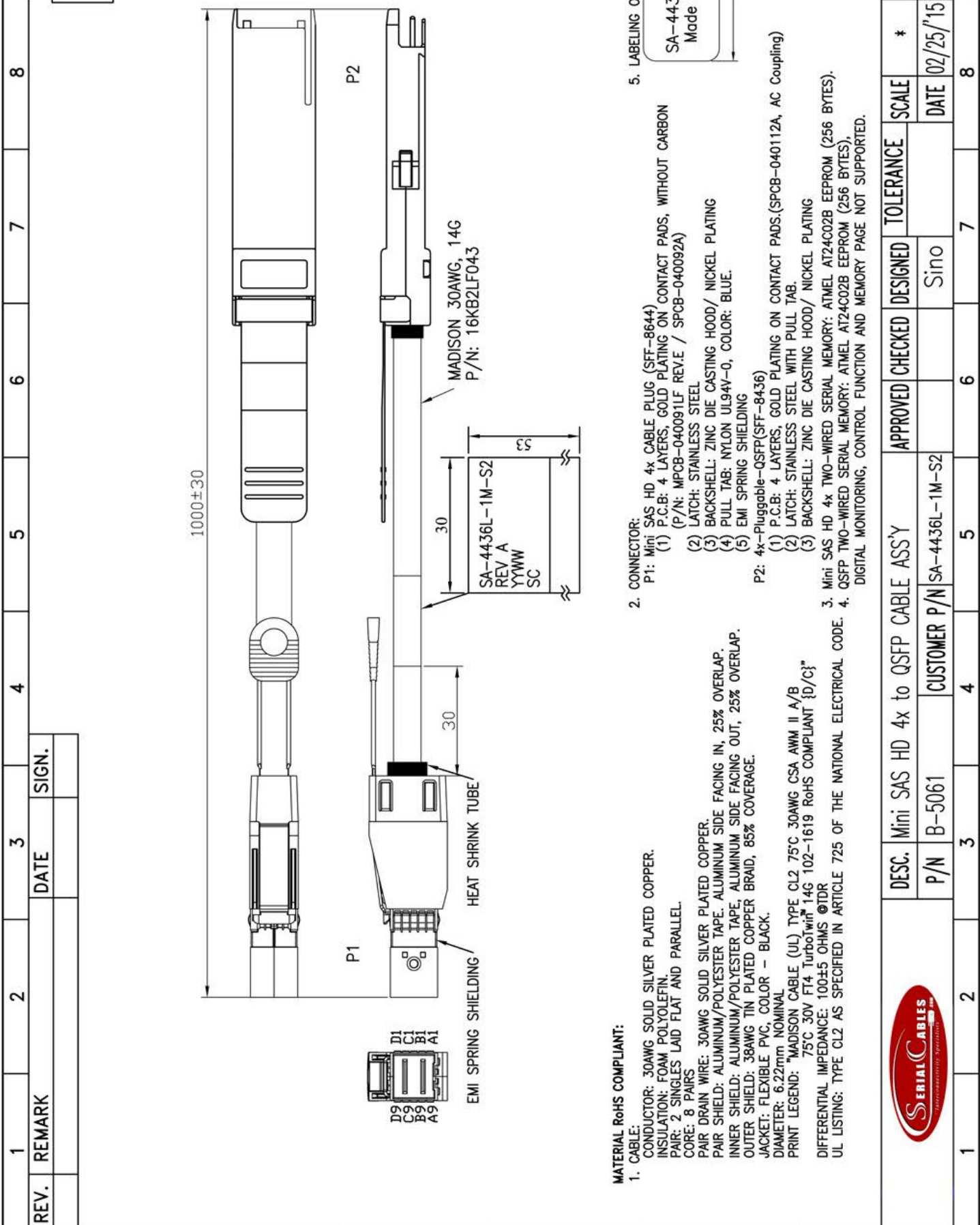


RoHS



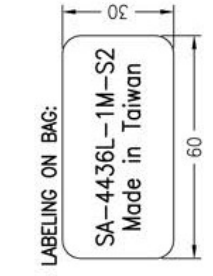
REV.	REMARK	DATE	SIGN.

MATERIAL RoHS COMPLIANT:

1. CABLE:
 CONDUCTOR: 30AWG SOLID SILVER PLATED COPPER.
 INSULATION: FOAM POLYOLEFIN.
 PAIR: 2 SINGLES LAID FLAT AND PARALLEL.
 CORE: 8 PAIRS
 PAIR DRAIN WIRE: 30AWG SOLID SILVER PLATED COPPER.
 INNER SHIELD: ALUMINUM/POLYESTER TAPE, ALUMINUM SIDE FACING IN, 25% OVERLAP.
 OUTER SHIELD: 38AWG TIN PLATED COPPER BRAID, 85% COVERAGE.
 JACKET: FLEXIBLE PVC, COLOR - BLACK.
 DIAMETER: 6.22mm NOMINAL
 PRINT LEGEND: "MADISON CABLE (UL) TYPE CL2 75°C 30AWG CSA AWM II A/B 75°C 30V FT4 Turbo1wir 14G 102-1619 RoHS COMPLIANT {d/c}"
 DIFFERENTIAL IMPEDANCE: 100±5 OHMS @TDR
 UL LISTING: TYPE CL2 AS SPECIFIED IN ARTICLE 725 OF THE NATIONAL ELECTRICAL CODE.

2. CONNECTOR:
 P1: Mini SAS HD 4x CABLE PLUG (SFF-8644)
 (1) P.C.B: 4 LAYERS, GOLD PLATING ON CONTACT PADS, WITHOUT CARBON (P/N: MPCB-040091LF REV.E / SPCB-040092A)
 (2) LATCH: STAINLESS STEEL
 (3) BACKSHELL: ZINC DIE CASTING HOOD/ NICKEL PLATING
 (4) PULL TAB: NYLON UL94V-0, COLOR: BLUE.
 (5) EMI SPRING SHIELDING
 P2: 4x-Pluggable-QSFP(SFF-8436)
 (1) P.C.B: 4 LAYERS, GOLD PLATING ON CONTACT PADS.(SPCB-040112A, AC Coupling)
 (2) LATCH: STAINLESS STEEL WITH PULL TAB.
 (3) BACKSHELL: ZINC DIE CASTING HOOD/ NICKEL PLATING

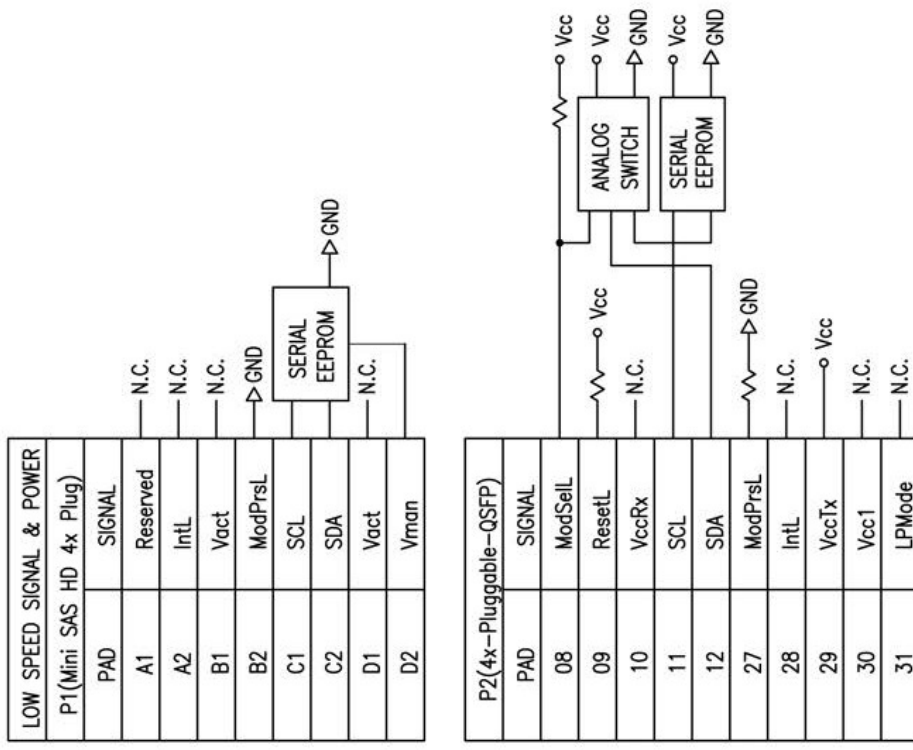
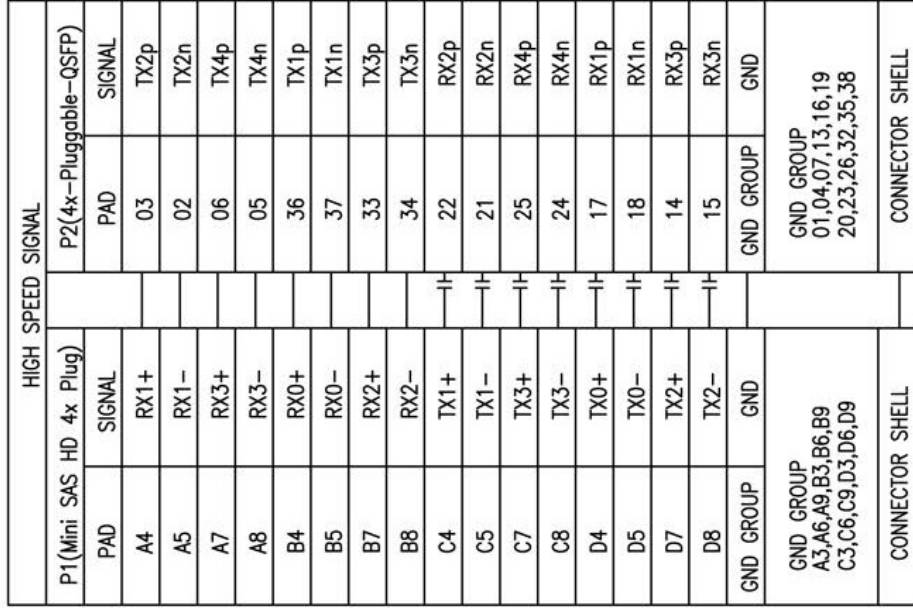
3. Mini SAS HD 4x TWO-WIRED SERIAL MEMORY: ATMEL AT24C02B EEPROM (256 BYTES).
 4. QSFP TWO-WIRED SERIAL MEMORY: ATMEL AT24C02B EEPROM (256 BYTES).
 DIGITAL MONITORING, CONTROL FUNCTION AND MEMORY PAGE NOT SUPPORTED.



DESC.	Mini SAS HD 4x to QSFP CABLE ASSY	APPROVED	CHECKED	DESIGNED	TOLERANCE	SCALE	*	UNIT	mm
P/N	B-5061			Sino		DATE	02/25/15	DWG NO:	DWG\B\5061

1	2	3	4	5	6	7	8	9
REV. REMARK		DATE		SIGN.				

WIRING DIAGRAM



*DC BLOCKING CAPS ON P2 RX END.



DESC.	Mini SAS HD 4x to QSFP CABLE ASS'Y
P/N	B-5061

DESIGNED	Sino	CHECKED		APPROVED		TOLERANCE	*
DATE	02/25/15	DWG NO:	DWG\B\5061	SCALE		UNIT	mm