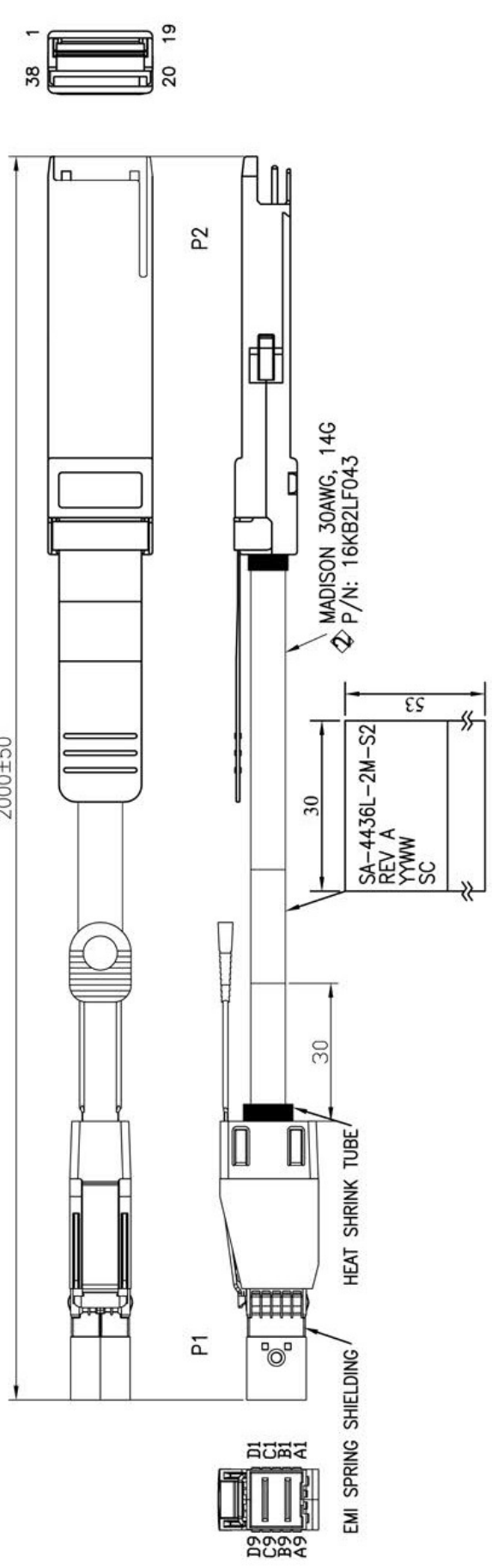


RoHS

REV.	REMARK	DATE	SIGN.
1	CHANGE PCB P/N	05/09/14	Sino
2	CHANGE CABLE	09/11/14	Sino

2000±50



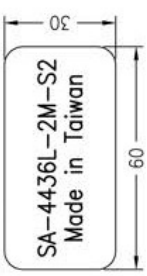
**MATERIAL RoHS COMPLIANT:**

- CABLE: CONDUCTOR: 30AWG SOLID SILVER PLATED COPPER.  
INSULATION: FOAM POLYOLEFIN.  
PAIR: 2 SINGLES LAID FLAT AND PARALLEL.  
CORE: 8 PAIRS  
PAIR DRAIN WIRE: 30AWG SOLID SILVER PLATED COPPER.  
PAIR SHIELD: ALUMINUM/POLYESTER TAPE, ALUMINUM SIDE FACING IN, 25% OVERLAP.  
INNER SHIELD: ALUMINUM/POLYESTER TAPE, ALUMINUM SIDE FACING OUT, 25% OVERLAP.  
OUTER SHIELD: 38AWG TIN PLATED COPPER BRAID, 85% COVERAGE.  
JACKET: FLEXIBLE PVC, COLOR - BLACK.  
PRINT LEGEND: "MADISON CABLE (UL) TYPE CL2 75°C 30AWG CSA AWM II A/B 75°C 30V FT4 Turbo1wir 14G 102-1619 RoHS COMPLIANT {d/c}"  
DIFFERENTIAL IMPEDANCE: 100±5 OHMS @TDR  
UL LISTING: TYPE CL2 AS SPECIFIED IN ARTICLE 725 OF THE NATIONAL ELECTRICAL CODE.

**2. CONNECTOR:**

- Mini SAS HD 4x CABLE PLUG (SFF-8644)  
P.C.B: 4 LAYERS, GOLD PLATING ON CONTACT PADS, WITHOUT CARBON (P/N: MPCB-040113LF REV.A / SPCB-040114A)  
(2) LATCH: STAINLESS STEEL  
(3) BACKSHELL: ZINC DIE CASTING HOOD/ NICKEL PLATING  
(4) PULL TAB: NYLON UL94V-0, COLOR: BLUE.  
(5) EMI SPRING SHIELDING
- 4x-Pluggable-QSFP(SFF-8436)  
  - (1) P.C.B: 4 LAYERS, GOLD PLATING ON CONTACT PADS.(SPCB-040112A, AC Coupling)
  - (2) LATCH: STAINLESS STEEL WITH PULL TAB.
  - (3) BACKSHELL: ZINC DIE CASTING HOOD/ NICKEL PLATING
- Mini SAS HD 4x TWO-WIRED SERIAL MEMORY: ATMEL AT24C02B EEPROM (256 BYTES).
- QSFP TWO-WIRED SERIAL MEMORY: ATMEL AT24C02B EEPROM (256 BYTES).  
DIGITAL MONITORING, CONTROL FUNCTION AND MEMORY PAGE NOT SUPPORTED.

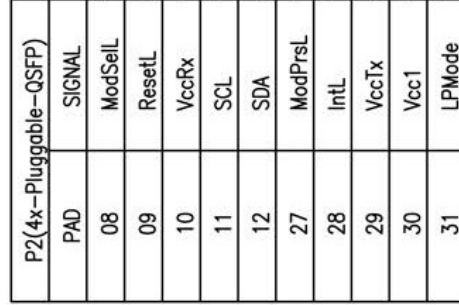
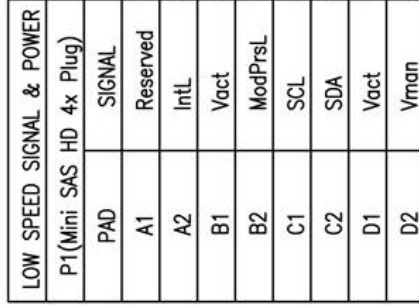
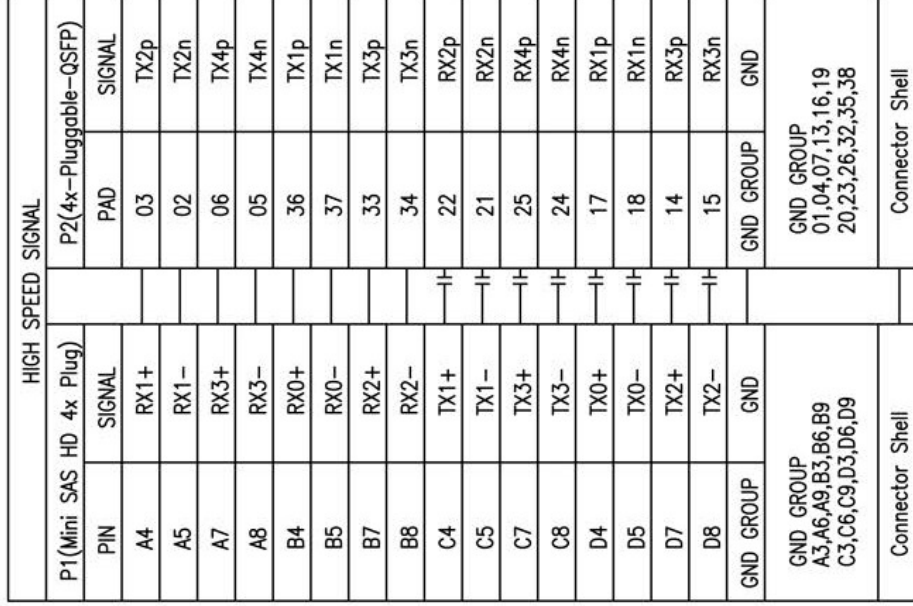
**5. LABELING ON BAG:**



DESC.	Mini SAS HD 4x to QSFP CABLE ASSY	APPROVED	CHECKED	DESIGNED	TOLERANCE	SCALE	*	UNIT	mm
P/N	UA55-RC006272			Sino					
						DATE	09/11/14	DWG NO:	DWG\RC\6272

REV. 1	REMARK	DATE	SIGN.
1	REVISE LOW SPEED SIGNAL & POWER	05/09/14	Sino

**WIRING DIAGRAM**



\*DC BLOCKING CAPS ON P2 RX END.



DESC.	Mini SAS HD 4x to QSFP CABLE ASS'Y
P/N	UA55-RC006272

DESIGNED	Sino	CHECKED		APPROVED		DATE	05/09/14	SCALE	*	TOLERANCE	*
UNIT	mm	DWG NO:	DWG\RC\6272								