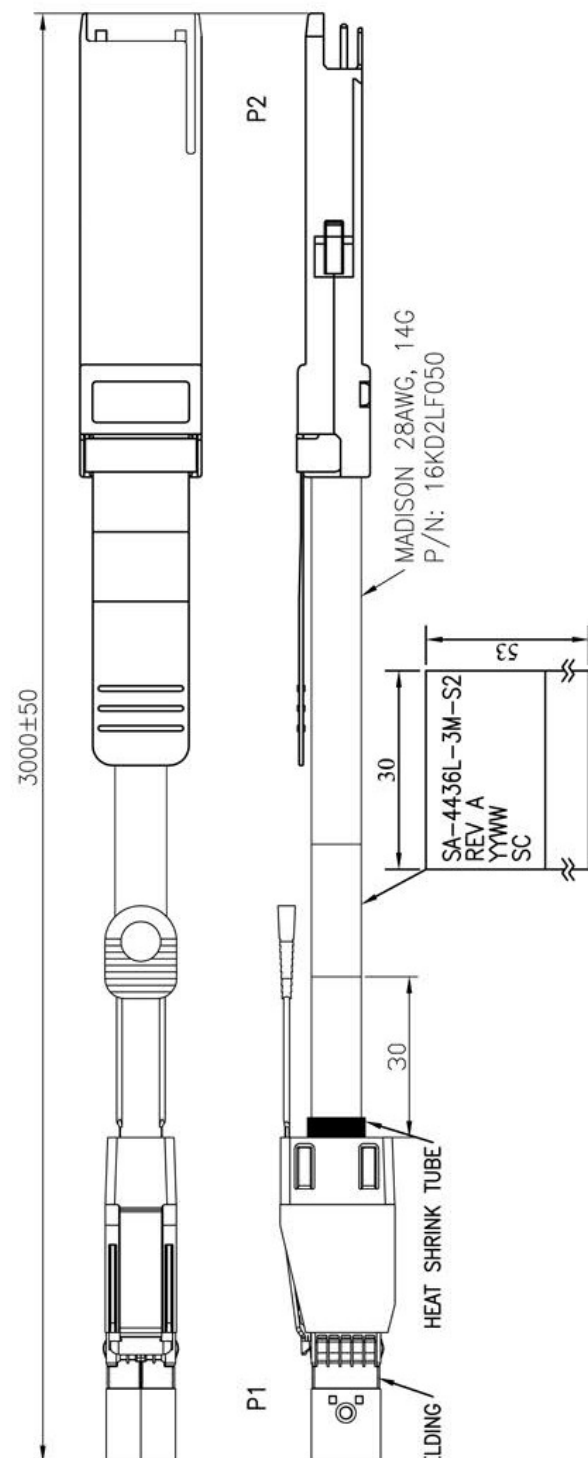


RoHS

REV.	REMARK	DATE	SIGN.

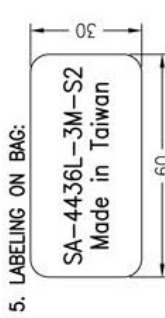


MATERIAL RoHS COMPLIANT:

1. CABLE:
 CONDUCTOR: 28AWG SOLID SILVER PLATED COPPER.
 INSULATION: FOAM POLYOLEFIN.
 PAIR: 2 SINGLES LAID FLAT AND PARALLEL.
 CORE: 2 PAIRS+ 6 PAIRS
 PAIR DRAIN WIRE: 30AWG SOLID SILVER PLATED COPPER.
 INNER SHIELD: ALUMINUM/POLYESTER TAPE, ALUMINUM SIDE FACING IN, 25% OVERLAP.
 OUTER SHIELD: 38AWG TIN PLATED COPPER BRAID, 85% COVERAGE.
 JACKET: FLEXIBLE PVC, COLOR - BLACK.
 DIAMETER: 7.62±0.254mm
 PRINT LEGEND: "MADISON CABLE (UL) TYPE CL2 75°C 28AWG CSA AWM II A/B TurboTwin™ 14G 102-1621 RoHS COMPLIANT {D/C}"
 DIFFERENTIAL IMPEDANCE: 100±5 OHMS @TDR
 UL LISTING: TYPE CL2 AS SPECIFIED IN ARTICLE 725 OF THE NATIONAL ELECTRICAL CODE.

2. CONNECTOR:
 P1: Mini SAS HD 4x CABLE PLUG (SFF-8644)
 (1) P.C.B: 4 LAYERS, GOLD PLATING ON CONTACT PADS, WITHOUT CARBON (P/N: MPCB-040113LF REV A / SPCB-040114A)
 (2) LATCH: STAINLESS STEEL
 (3) BACKSHELL: ZINC DIE CASTING HOOD/ NICKEL PLATING
 (4) PULL TAB: NYLON UL94V-0, COLOR: BLUE.
 (5) EMI SPRING SHIELDING
 P2: 4x-Pluggable-QSFP(SFF-8436)
 (1) P.C.B: 4 LAYERS, GOLD PLATING ON CONTACT PADS.(SPCB-040078A, AC Coupling)
 (2) LATCH: STAINLESS STEEL WITH PULL TAB.
 (3) BACKSHELL: ZINC DIE CASTING HOOD/ NICKEL PLATING

3. Mini SAS HD 4x TWO-WIRED SERIAL MEMORY: ATMEL AT24C02B EEPROM (256 BYTES).
4. QSFP TWO-WIRED SERIAL MEMORY: ATMEL AT24C02B EEPROM (256 BYTES),
 DIGITAL MONITORING & CONTROL FUNCTION AND MEMORY PAGE NOT SUPPORTED.



DESC.	Mini SAS HD 4x to QSFP CABLE ASSY	APPROVED	CHECKED	DESIGNED	TOLERANCE	SCALE	*	UNIT	mm
P/N	UASS-RC006599			Sino					
						DATE	01/21/14	DWG NO:	DWG\RC\6599

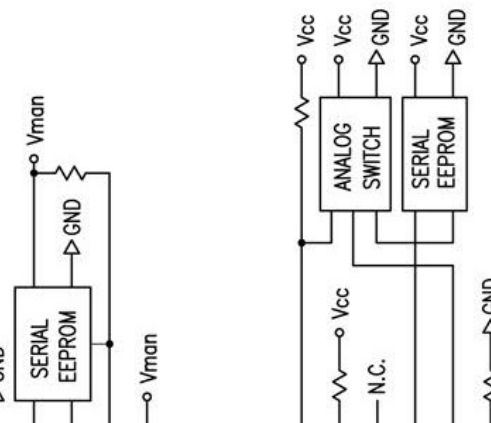
REV.	REMARK	DATE	SIGN.

WIRING DIAGRAM

HIGH SPEED SIGNAL		P2(4x-Pluggable-QSFP)	
P1(Mini SAS HD 4x Plug)	SIGNAL	PAD	SIGNAL
A4	RX1+	03	TX2p
A5	RX1-	02	TX2n
A7	RX3+	06	TX4p
A8	RX3-	05	TX4n
B4	RX0+	36	TX1p
B5	RX0-	37	TX1n
B7	RX2+	33	TX3p
B8	RX2-	34	TX3n
C4	TX1+	22	RX2p
C5	TX1-	21	RX2n
C7	TX3+	25	RX4p
C8	TX3-	24	RX4n
D4	TX0+	17	RX1p
D5	TX0-	18	RX1n
D7	TX2+	14	RX3p
D8	TX2-	15	RX3n
GND GROUP	GND	GND GROUP	GND
GND GROUP A3,A6,A9,B3,B6,B9 C3,C6,C9,D3,D6,D9	Connector Shell	GND GROUP 01,04,07,13,16,19 20,23,26,32,35,38	Connector Shell

LOW SPEED SIGNAL & POWER	
P1(Mini SAS HD 4x Plug)	SIGNAL
A1	Reserved
A2	IntL
B1	Vact
B2	ModPrsL
C1	SCL
C2	SDA
D1	Vact
D2	Vrman

P2(4x-Pluggable-QSFP)	
PAD	SIGNAL
08	ModSelL
09	ResetL
10	Vccfx
11	SCL
12	SDA
27	ModPrsL
28	IntL
29	VccTx
30	Vcc1
31	LPMODE



*DC BLOCKING CAPS ON P2 RX END.



DESC.	Mini SAS HD 4x to QSFP CABLE ASS'Y
P/N	UA55-RC006599

DESIGNED	Sino	CHECKED		APPROVED	
SCALE	*	TOLERANCE	*	DATE	01/21/14
UNIT	mm	DWG NO:	DWG\RC\6599		