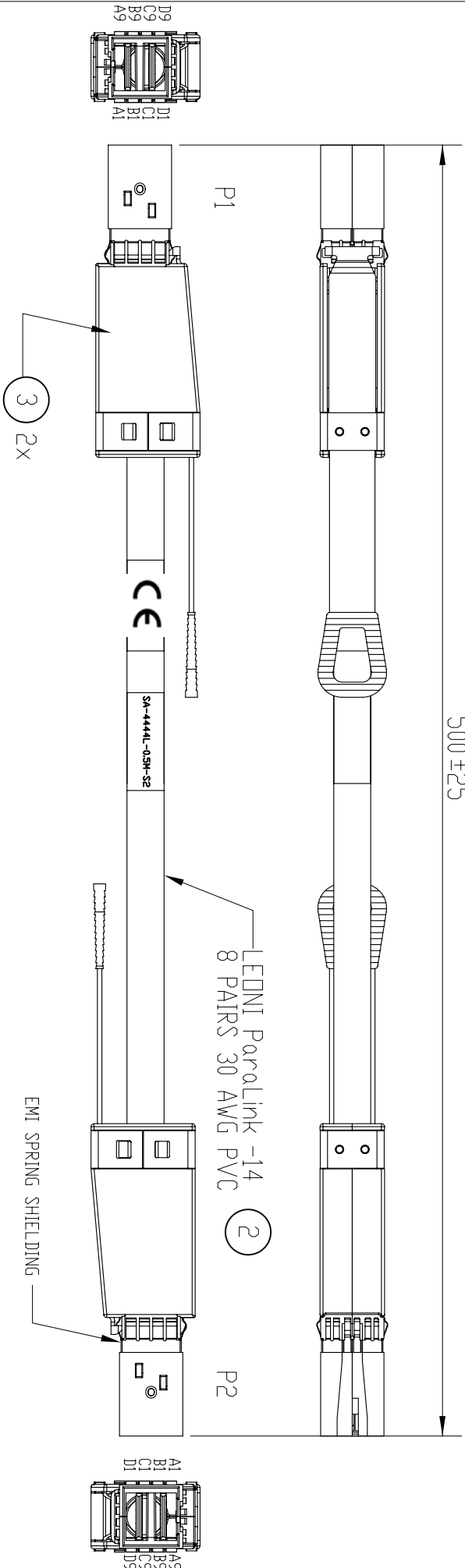


REV. #		DESCRIPTION	DATE	ECD
A		INITIAL RELEASE	5/30/2014	N/A

REVISIONS

500 ±25



NOTES:

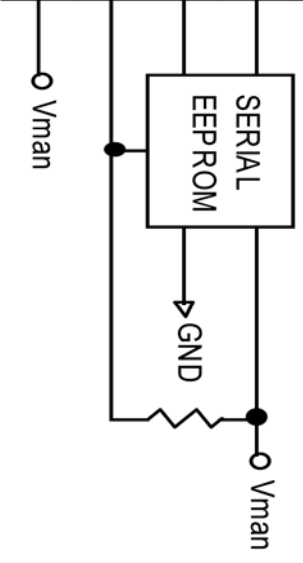
1. MATERIALS MUST BE ROHS COMPLIANT.
2. CABLE CONNECTOR:
3. (1) PCB WITH TWD WIRE SERIAL MEMORY (256 BYTES)  
 (2) LATCH/CLIP: STAINLESS STEEL  
 (3) BACKSHELL: ZINC DIE CASTING WITH NICKLE OVER COPPER PLATING  
 (4) PULL TAB: NYLON UL 94V-0, COLOR PANTONE 279C (LIGHT BLUE)  
 (5) EMI SPRING SHIELDING: STAINLESS STEEL
4. FOR SAS 3.0 R6 - 12GBS

PROPRIETARY AND CONFIDENTIAL		NAME	DATE	UNLESS OTHERWISE SPECIFIED, PART FILENAME		DWG FILENAME	TITLE:
				DIMENSIONS ARE IN MILLIMETERS		MATERIAL SEE NOTES	MINI SAS HD 4X/MINI SAS HD 4X
				TOLERANCES:		SCALE: 1:1 DO NOT SCALE DRAWING	CABLE ASSEMBLY
				FRACTIONAL ±			
				ANGULAR: MACH ± BEND ±			
				.X ±			
				XX ±			
				XXX ±			
				INTERPRET GEOMETRIC TOLERANCING PER:			
				SHEET 1 OF 3		SIZE A	DWG. NO. SA-4444L-0.5M-S2
							REV A

HIGH SPEED SIGNAL			
P1(Mini SAS HD 4x Plug)	SIGNAL	P2(Mini SAS HD 4x Plug)	SIGNAL
PIN		PAD	
A4	RX1+	C4	TX1+
A5	RX1-	C5	TX1-
A7	RX3+	C7	TX3+
A8	RX3-	C8	TX3-
B4	RX0+	D4	TX0+
B5	RX0-	D5	TX0-
B7	RX2+	D7	TX2+
B8	RX2-	D8	TX2-
C4	TX1+	A4	RX1+
C5	TX1-	A5	RX1-
C7	TX3+	A7	RX3+
C8	TX3-	A8	RX3-
D4	TX0+	B4	RX0+
D5	TX0-	B5	RX0-
D7	TX2+	B7	RX2+
D8	TX2-	B8	RX2-
GND GRP	GND	GND GROUP	GND

GND GROUP 1:  
P1-A3,A6,A9,B3,B6,B9 P2-C3,C6,C9,D3,D6,D9  
GND GROUP 2:  
P1-C3,C6,C9,D3,D6,D9 P2-A3,A6,A9,B3,B6,B9

LOW SPEED SIGNAL & POWER	
P1,P2(Mini SAS HD 4x Plug)	
PAD	Signal
A1	Reserved
A2	IntL
B1	Vact
B2	ModPrsl
C1	SCL
C2	SDA
D1	Vact
D2	Vman



PROPRIETARY AND CONFIDENTIAL

TITLE: MINI SAS HD 4X/MINI SAS HD 4X  
CABLE ASSEMBLY

DWG SIZE A

SHEET 2 OF 3

DWG NO:

SA-4444L-0.5M-S2

REV

A

