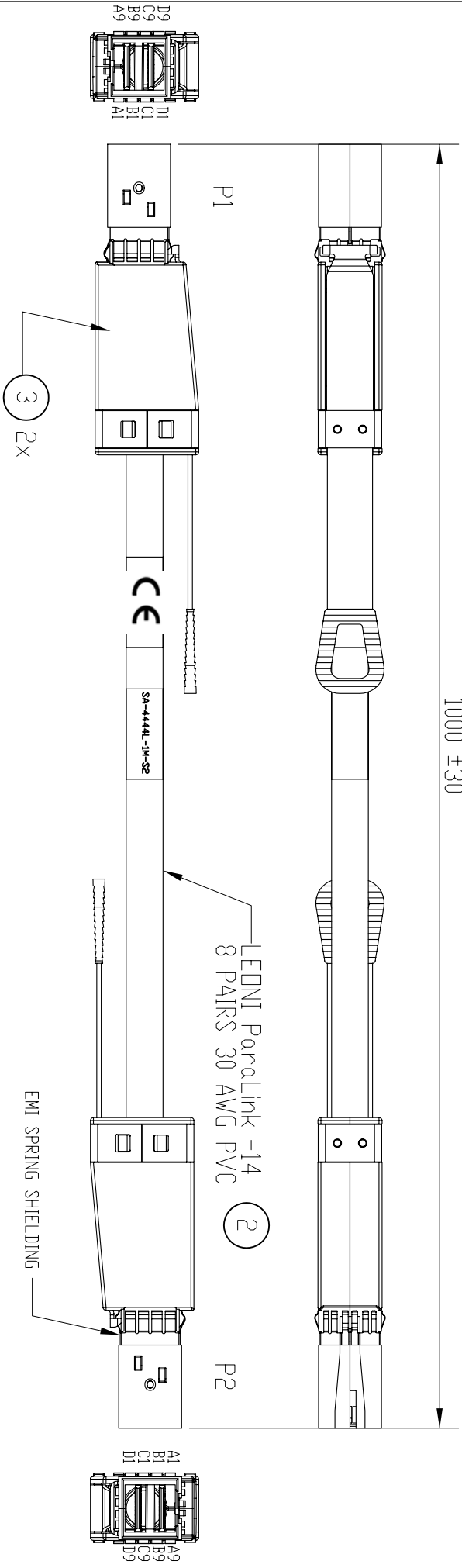


REV. A		DESCRIPTION INITIAL RELEASE		DATE 5/30/2014		ECD N/A	
--------	--	--------------------------------	--	-------------------	--	------------	--

REVISIONS

1000 ±30



NOTES:
 1. MATERIALS MUST BE ROHS COMPLIANT.
 2. CABLE CONNECTOR:
 3. PCB WITH TWO WIRE SERIAL MEMORY (256 BYTES)
 4. LATCH/CLIP: STAINLESS STEEL
 5. BACKSHELL: ZINC DIE CASTING WITH NICKLE OVER COPPER PLATING
 6. PULL TAB: NYLON UL94V-0, COLOR PANTONE 279C (LIGHT BLUE)
 7. EMI SPRING SHIELDING: STAINLESS STEEL
 8. FOR SAS 3.0 R6 - 12GBS

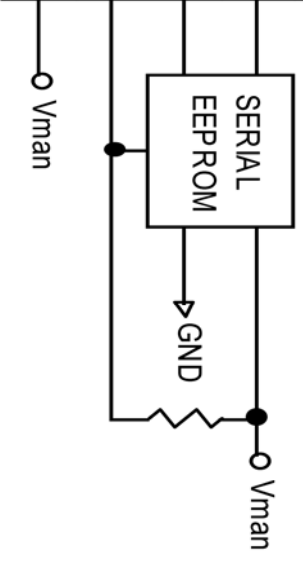
PROPRIETARY AND CONFIDENTIAL		NAME	DATE	UNLESS OTHERWISE SPECIFIED, PART FILENAME			
DRAWN				DIMENSIONS ARE IN MILLIMETERS			
ENG APPR.				TOLERANCES: FRACTIONAL ±			
MFG APPR.				ANGULAR: MACH ± BEND ±			
QA				X ±			
				XX ±			
				XXX ±			
				INTERPRET GEOMETRIC TOLERANCING PER:			
DVG FILENAME		SCALE: 1:1		D0 NOT SCALE DRAWING		TITLE:	
MATERIAL SEE NOTES		SHEET 1 OF 3		SIZE A		MINI SAS HD 4X/MINI SAS HD 4X CABLE ASSEMBLY	
DVG. NO. SA-4444L-1M-S2						REV A	

HIGH SPEED SIGNAL			
P1(Mini SAS HD 4x Plug)	SIGNAL	P2(Mini SAS HD 4x Plug)	SIGNAL
PIN		PAD	
A4	RX1+	C4	TX1+
A5	RX1-	C5	TX1-
A7	RX3+	C7	TX3+
A8	RX3-	C8	TX3-
B4	RX0+	D4	TX0+
B5	RX0-	D5	TX0-
B7	RX2+	D7	TX2+
B8	RX2-	D8	TX2-
C4	TX1+	A4	RX1+
C5	TX1-	A5	RX1-
C7	TX3+	A7	RX3+
C8	TX3-	A8	RX3-
D4	TX0+	B4	RX0+
D5	TX0-	B5	RX0-
D7	TX2+	B7	RX2+
D8	TX2-	B8	RX2-
GND GRP	GND	GND GROUP	GND

GND GROUP 1:
P1-A3,A6,A9,B3,B6,B9 P2-C3,C6,C9,D3,D6,D9

GND GROUP 2:
P1-C3,C6,C9,D3,D6,D9 P2-A3,A6,A9,B3,B6,B9

LOW SPEED SIGNAL & POWER	
P1,P2(Mini SAS HD 4x Plug)	
PAD	Signal
A1	Reserved
A2	IntL
B1	Vact
B2	ModPrsl
C1	SCL
C2	SDA
D1	Vact
D2	Vman



PROPRIETARY AND CONFIDENTIAL

TITLE: MINI SAS HD 4X/MINI SAS HD 4X
CABLE ASSEMBLY

DWG SIZE A

SHEET 2 OF 3

DWG NO:

SA-4444L-1M-S2

REV

A

MEMORY MAP (Mini SAS HD 4X END, PER SFF8636 REV 1.77)

	0	1	2	3	4	5	6	7	8	9	A	B	C	D	E	F	
0	0F	00	04	00	00	00	00	00	00	00	00	00	00	00	00	00	
1	00	00	00	00	00	00	00	00	00	00	00	00	00	00	00	00	
2	00	00	00	00	00	00	00	00	00	00	00	00	00	00	00	00	
3	00	00	00	00	00	00	00	00	00	00	00	00	00	00	00	00	
4	00	00	00	00	00	00	00	00	00	00	00	00	00	00	00	00	
5	00	00	00	00	00	00	00	00	00	00	00	00	00	00	00	00	
6	00	00	00	00	00	00	00	00	00	00	00	00	00	00	00	00	
7	00	00	00	00	00	00	00	00	00	00	00	00	00	00	00	00	
8	0F	00	21	00	00	70	00	00	00	00	00	00	78	00	00	00	
9	00	00	01	A0	53	43	20	20	20	20	20	20	20	20	20	20	
A	20	20	20	20	00	00	00	53	41	2D	34	34	34	34	34	4C	
B	2D	31	4D	2D	53	32	20	20	30	30	00	00	00	46	chk01	SUM of 80-BE	
C	00	00	00	00	00	00	00	00	00	00	00	00	00	00	00	00	
D	00	00	00	00	00	00	date	code	00	00	20	20	00	00	00	chk02	SUM of C0-DE
E	00	00	00	00	00	00	00	00	00	00	00	00	00	00	00	00	00
F	00	00	00	00	00	00	00	00	00	00	00	00	00	00	00	00	00

- Length: 01 = 1 meter
- vendor name (16 bytes): SC
- vendor PN (16 bytes): SA-4444L-1M-S2
- chk01: low order 8 bits of the sum of the contents of all the bytes from byte 80h to byte BEh, inclusive
- vendor SN: 16 bytes ASCII characters, left aligned and padded on the right with ASCII spaces (20h).
- date code: 6 bytes ASCII characters, in the format of YYMMDD.
- chk02: low order 8 bits of the sum of the contents of all the bytes from byte C0h to byte DEh, inclusive
- attenuation: 0xh=xxdB at 2.5GHz, 0xh=xxdb at 5.0GHz

PROPRIETARY AND CONFIDENTIAL

TITLE: MINI SAS HD 4X/MINI SAS HD 4X
CABLE ASSEMBLY

DWG SIZE	A	SHEET	3 OF 3	DWG NO:	SA-4444L-1M-S2	REV	A
----------	---	-------	--------	---------	----------------	-----	---