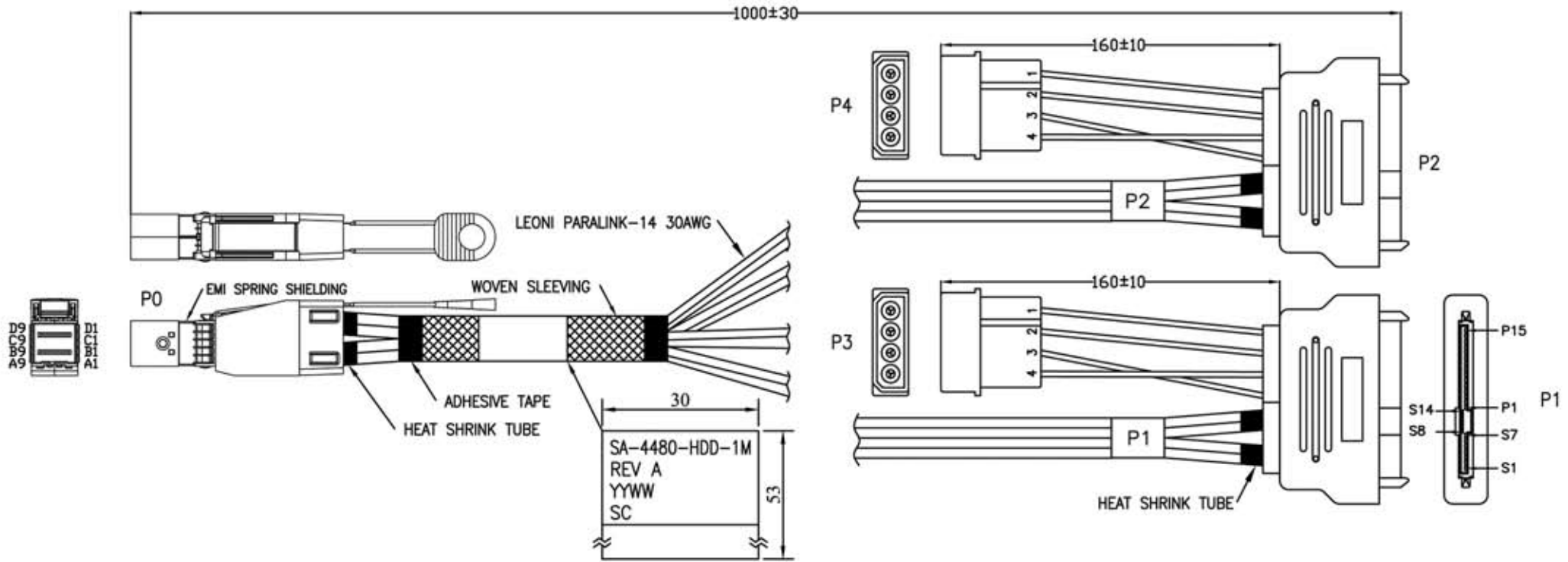


REV.	REMARK	DATE	SIGN.
◇	Add SAS DRIVE P/N	02/25/'13	Sino

RoHS



MATERIAL RoHS COMPLIANT:

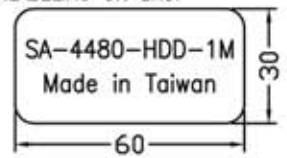
1.CABLE:

CONDUCTOR: 30 AWG SOLID SILVER PLATED COPPER.
 INSULATION: SKIN-FOAM-SKIN
 PAIR: 2 WIRES, WH AND YE PARALLEL.
 PAIR DRAIN WIRE: $\phi 0.2$ mm (32AWG) TINNED COPPER.
 PAIR SHIELD: ALUMINUM FOIL OVERLAPPED, ALU INSIDE.
 DIFFERENTIAL IMPEDANCE: 100 ± 5 OHM.

2.CONNECTOR:

- P0: Mini SAS HD 4x CABLE PLUG (SFF-8644)
- (1) P.C.B: 4 LAYERS, GOLD PLATING ON CONTACT PADS, WITHOUT CARBON
(P/N: MPCB-040113LF REV.A / SPCB-040114A)
- (2) LATCH: STAINLESS STEEL
- (3) BACKSHELL- ZINC DIE CASTING HOOD/ NICKEL PLATING
- (4) PULL TAB: NYLON UL94V-0, COLOR: BLUE.
- (5) EMI SPRING SHIELDING

3.LABELING ON BAG:



- ◇ P1,P2: SAS DRIVE REC.(SFF-8680)(MSAS-F29S001G)
- P3,P4: 4 POSITION DC POWER PLUG
- POWER CABLE: UL 1007 18AWG 80°C 300V

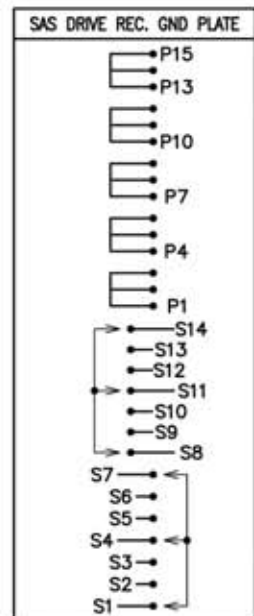
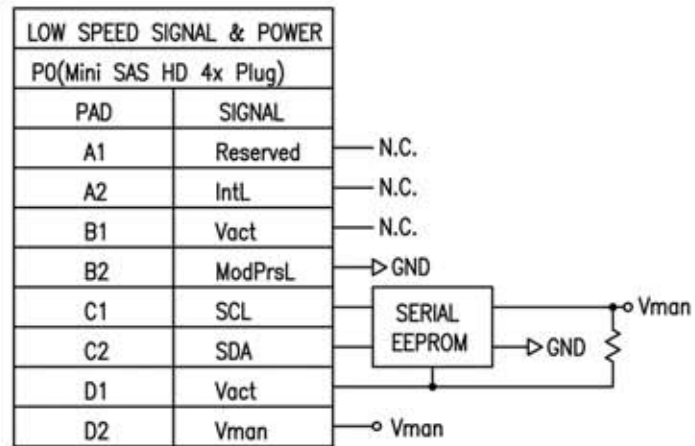


DESC.	Mini SAS HD 4x TO 2*SAS drive cable rec. with power cable ass'y	APPROVED	CHECKED	DESIGNED	TOLERANCE	SCALE	*	UNIT	mm	
P/N	UASS-RC005925	CUSTOMER P/N	SA-4480-HDD-1M	Sino		DATE	03/08/'13	DWG NO:	DWG\RC\5925	

REV.	REMARK	DATE	SIGN.

WIRING DIAGRAM								
Mini SAS HD 4x (HOST)(PO)		SAS DRIVE CABLE REC.(TARGET)			4P POWER PLUG			
PIN	SIGNAL	rec.	PIN	SIGNAL	plug	PIN	SIGNAL	
B4	RX0+	P1	S6	TP+	P3	1	+12V	
B5	RX0-		S5	TP-		2	GND	
D5	TX0-		S3	RP-		4	+5V	
D4	TX0+		S2	RP+		3	GND	
GND GROUP			S1,S4,S7	GND				
A4	RX1+		S13	TP+				
A5	RX1-		S12	TP-				
C5	TX1-		S10	RP-				
C4	TX1+		S9	RP+				
GND GROUP			S8,S11,S14	GND				
		P13,P14,P15	+12V					
		P10,P11,P12	GND					
		P7,P8,P9	+5V					
		P4,P5,P6	GND					
B7	RX2+	P2	S6	TP+	P4	1	+12V	
B8	RX2-		S5	TP-		2	GND	
D8	TX2-		S3	RP-		4	+5V	
D7	TX2+		S2	RP+		3	GND	
GND GROUP			S1,S4,S7	GND				
A7	RX3+		S13	TP+				
A8	RX3-		S12	TP-				
C8	TX3-		S10	RP-				
C7	TX3+		S9	RP+				
GND GROUP			S8,S11,S14	GND				
		P13,P14,P15	+12V					
		P10,P11,P12	GND					
		P7,P8,P9	+5V					
		P4,P5,P6	GND					

GND GROUP:
A3,A6,A9,B3,B6,B9,
C3,C6,C9,D3,D6,D9.



DESC.	Mini SAS HD 4x TO 2*SAS drive cable rec. with power cable ass'y	APPROVED	CHECKED	DESIGNED	TOLERANCE	SCALE	*	UNIT	mm	
P/N	UASS-RC005925	CUSTOMER P/N		Sino		DATE	03/07/'13	DWG NO:	DWG\RC\5925	