

1	2	3
REV.	REMARK	DATE

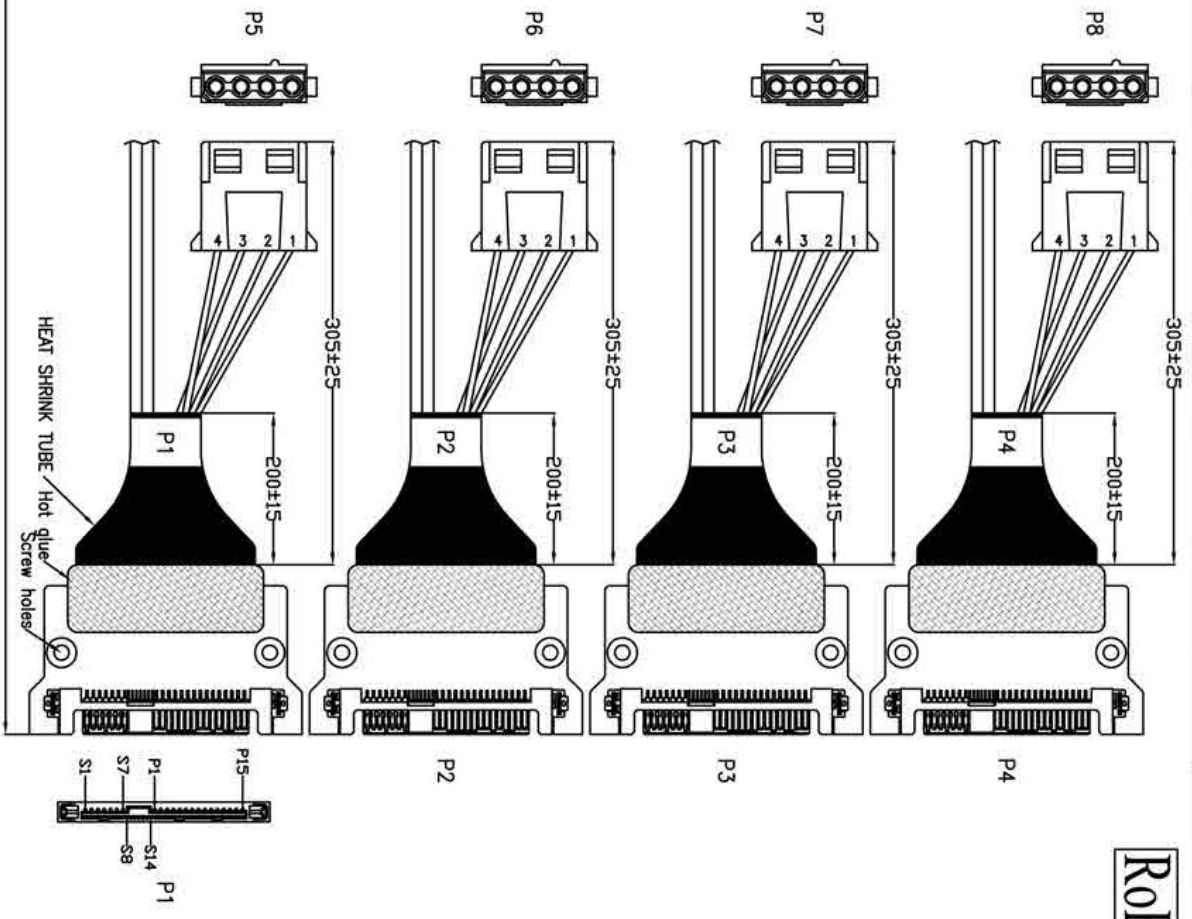
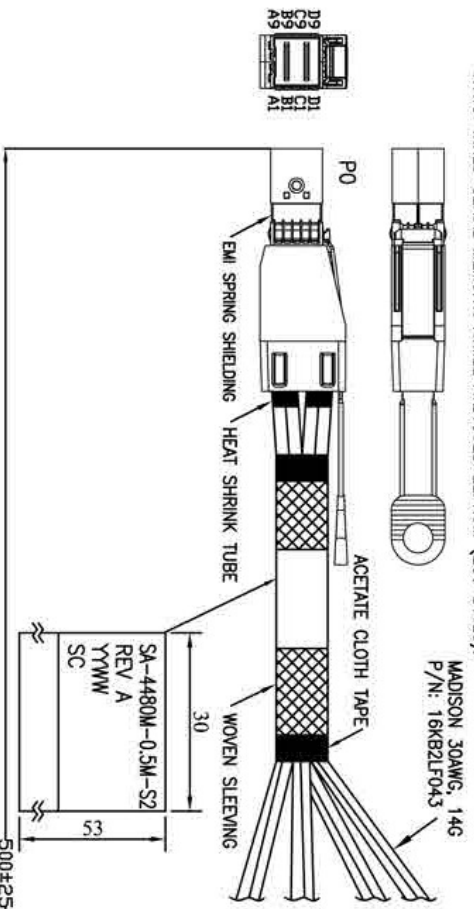
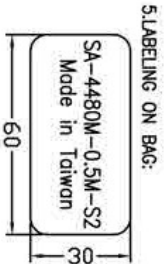
4	5	6	7	8	9
DATE	DESIGNED	CHECKED	APPROVED	CUSTOMER P/N	SA-4480M-0.5M-S2
	Sino				

10/02/14  
DWG NO: DWG\B\4913



**MATERIAL ROHS COMPLIANT:**

- 1.CABLE:  
 CONDUCTOR: 30AWG SOLID SILVER PLATED COPPER.  
 INSULATION: FOAM POLYOLEFIN.  
 PAIR: 2 SINGLES LAD FLAT AND PARALLEL.  
 PAIR DRAIN WIRE: 30AWG SOLID SILVER PLATED COPPER.  
 PAIR SHIELD: ALUMINUM/POLYESTER TAPE, 25% OVERLAP.  
 INNER SHIELD: ALUMINUM/POLYESTER TAPE.  
 ALUMINUM SIDE FACING OUT, 25% OVERLAP.  
 DIFFERENTIAL IMPEDANCE: 100±5 OHMS @1DR  
 UL LISTING: TYPE CL2 AS SPECIFIED IN ARTICLE 725  
 OF THE NATIONAL ELECTRICAL CODE.
- 2.CONNECTOR:  
 P0: Mini SAS HD 4x CABLE PLUG (SFF-8644)  
 (1) P.C.B: 4 LAYERS, GOLD PLATING ON CONTACT PADS, WITHOUT CARBON  
 (P/N: MPCB-040091LF REV.E / SPCB-040092A)  
 (2) LATCH: STAINLESS STEEL  
 (3) BACKSHELL - ZINC DIE CASTING HOOD/ NICKEL PLATING  
 (4) PULL TAB: NYLON UL94V-0, COLOR: BLUE.  
 (5) EMI SPRING SHIELDING  
 P1-P4: SAS DRIVE R/A SMT PLUG (SFF-8680)(MO-00236)  
 (1) P.C.B: MPCB-040137LF(MO-00237)  
 P5-P8: 4 POSITION DC POWER REC.  
 POWER CABLE: UL 1007 18AWG 80°C 300V
- 3.FOR SAS 12.0 Gbps.  
 4.TWO-WIRED SERIAL MEMORY: ATMEL AT24C02B EEPROM (256 BYTES).

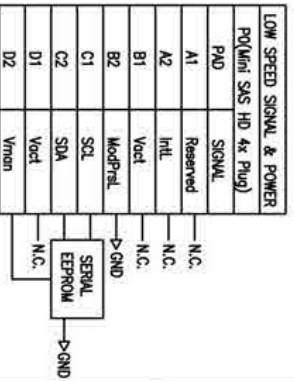
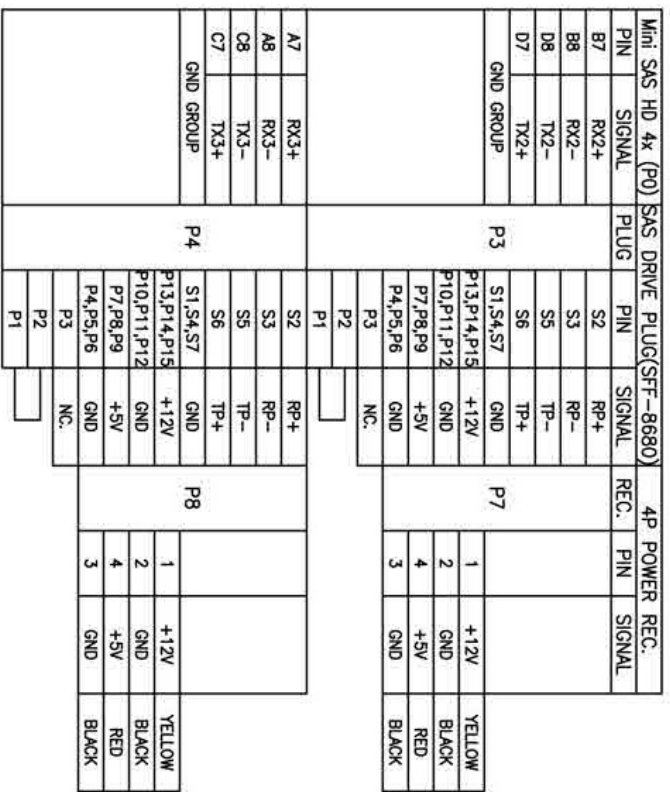
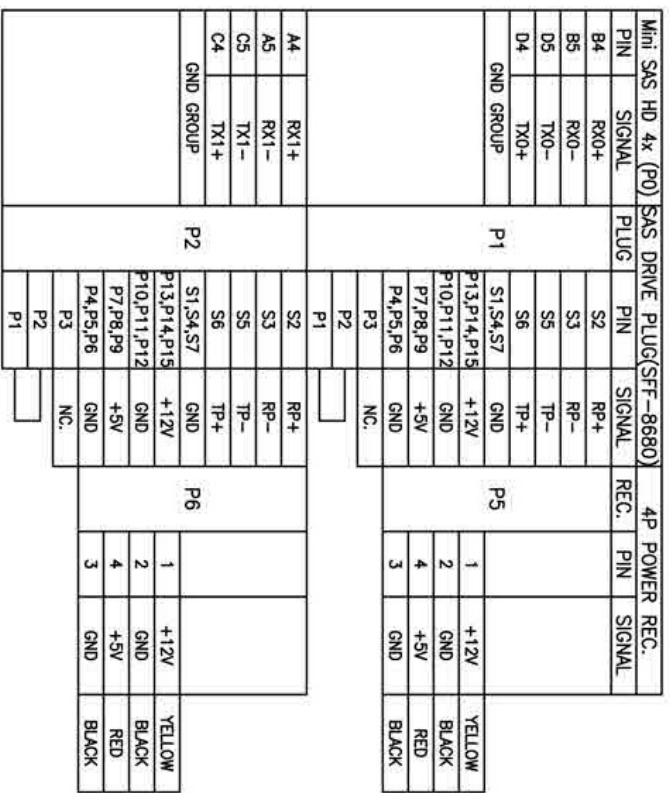


DESC.	Mini SAS HD 4x TO 4xSAS DRIVE R/A SMT PLUG WITH POWER CABLE ASSY	APPROVED	CHECKED	DESIGNED	TOLERANCE	SCALE	*	UNIT	mm
P/N	B-4913			Sino		DATE	10/02/14	DWG NO:	DWG\B\4913

1 2 3 4 5 6 7 8 9

1	2	3	4	5	6	7	8	9
REV.	REMARK	DATE	SIGN.					

WIRING DIAGRAM



P0 GND GROUP:  
 A3,A6,A9,B3,B6,B9,  
 C3,C6,C9,D3,D6,D9.



DESC.	Mini SAS HD 4x TO 4xSAS DRIVE R/A SMT PLUG WITH POWER CABLE ASS'Y	APPROVED	CHECKED	DESIGNED	TOLERANCE	SCALE	*	UNIT	mm
P/N	B-4913	CUSTOMER P/N		Sino		DATE	10/02/14	DWG NO.	DWG\B\4913