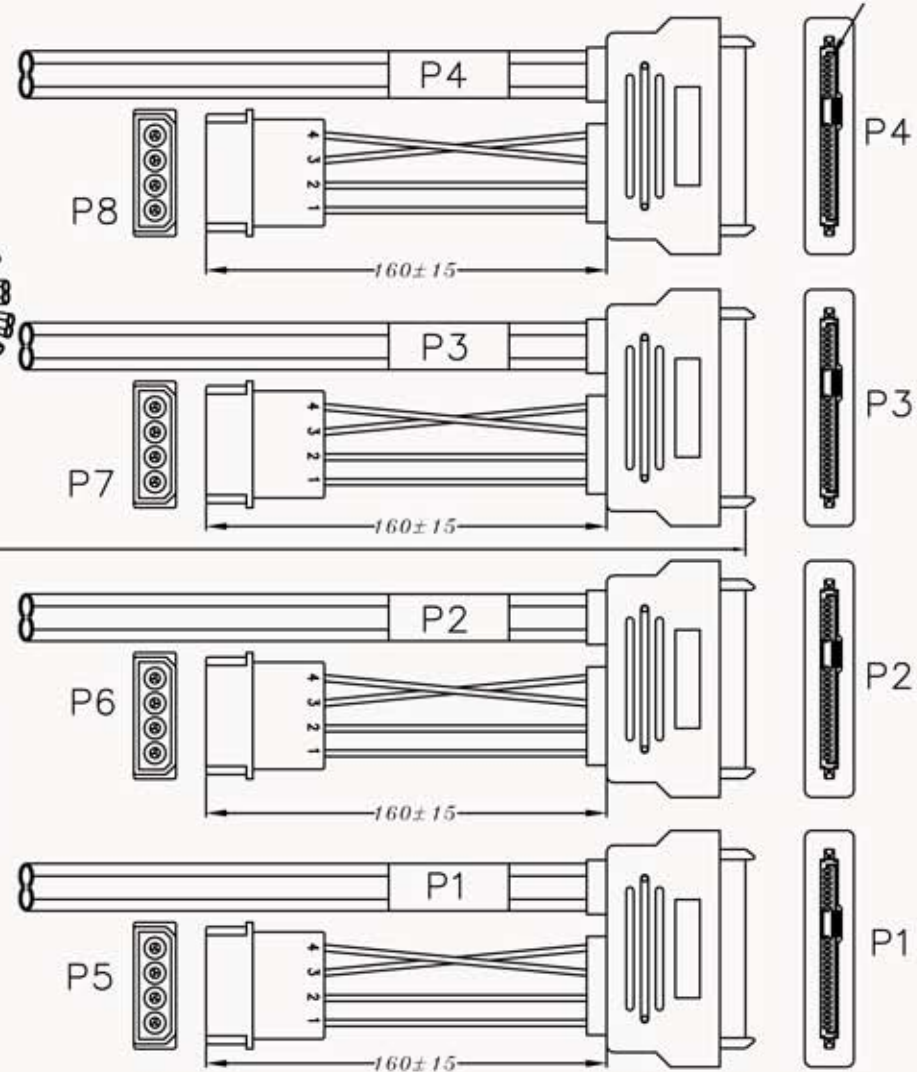
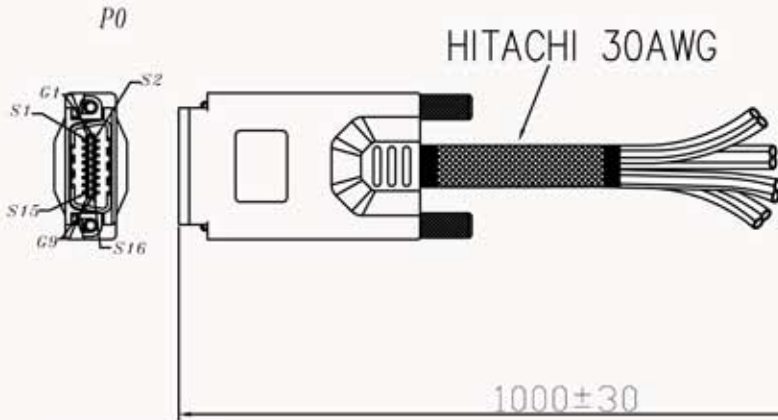


RoHS



MATERIAL RoHS COMPLIANT:

1.CABLE:

ELECTRICAL:

DIFFERENTIAL IMPEDANCE TDR: 100+/-5 OHMS

CAPACITANCE: 47 pF/m nom.

SKEW(within the pair-3m sample): 8 ps/m max

COMPONENT:

CONDUCTOR: 30 AWG SOLID TINNED COPPER

.010" NOM. OD

APPROVALS:

UL AWM VW-1 80°C 30V, RoHS COMPLIANT, HITACHI

2.CONNECTOR:

P0: 4X PLUG WITH THUMBSCREWS.

(1)HOUSING- ZINC DIE CAST

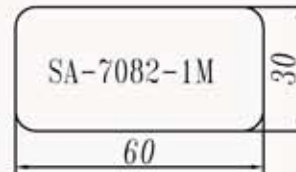
(2)CONTACTS- 30u" INCHES GOLD PLATING

P1~P4 29PIN INTERNAL CONNECTOR (SFF-8482)

P5~P8 4PIN POWER MALE CONNECTOR

POWER CABLE: UL 1007 18AWG 80°C 300V

LABELLING ON BAG:



P/N: SA-7082-XX

Desc. : SAS4x (SFF-8470) - HDD (SFF-8482) female