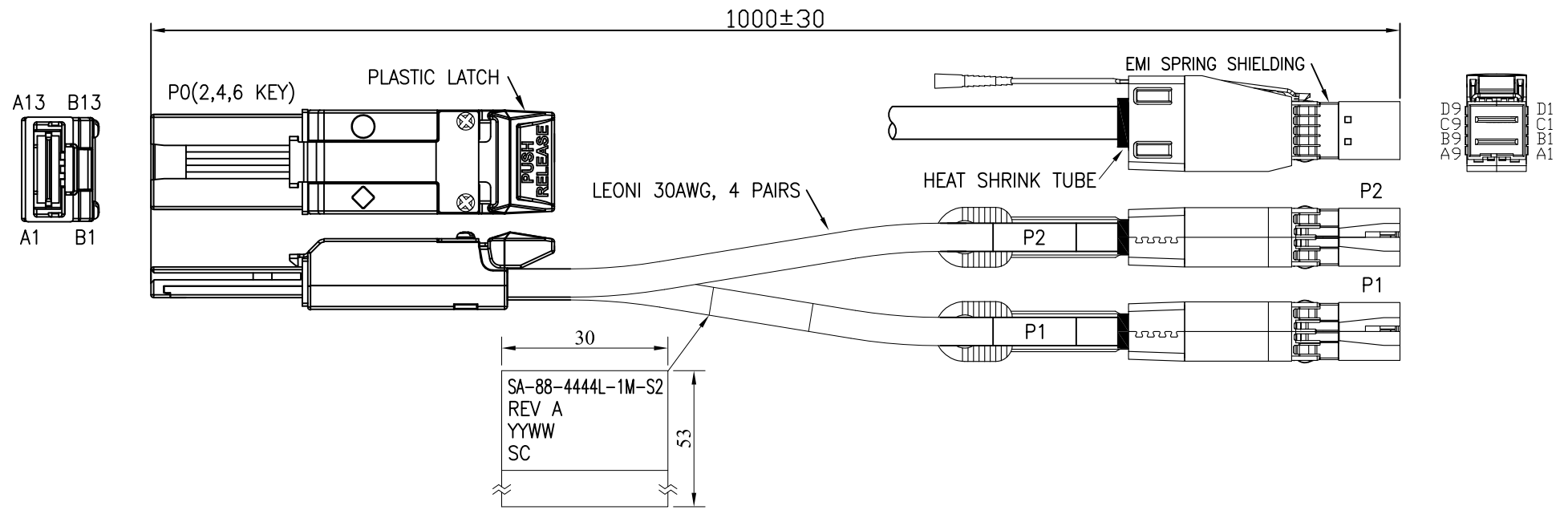


1	2	3	4	5	6	7	8	9
REV.	REMARK	DATE	SIGN.					

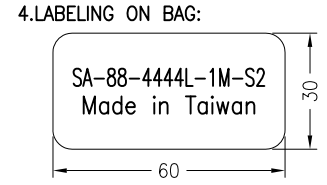
RoHS



MATERIAL RoHS COMPLIANT:

1.CABLE:  
 CONDUCTOR: 30 AWG SOLID SILVER PLATED COPPER.  
 INSULATION: SKIN-FOAM-SKIN  
 PAIR: 2 WIRES, WH AND YE PARALLEL.  
 CORE: 4 PAIRS  
 PAIR DRAIN WIRE:  $\phi 0.2$  mm (32AWG) TINNED COPPER.  
 PAIR SHIELD: ALUMINUM FOIL OVERLAPPED, ALU INSIDE.  
 INNER SHIELD: ALUMINUM FOIL OVERLAPPED, APPLIED LONGITUDINALLY.  
 OUTER SHIELD: 38 AWG TINNED COPPER BRAID, 85% COVERAGE.  
 DIAMETER:  $5.1 \pm 0.2$  mm  
 PRINT LEGEND: "LEONI High Speed Cables ParaLink®-11  
 100 $\Omega$  4pairs 30AWG (shielded) (UL) E116441 CL2 75°C"  
 DIFFERENTIAL IMPEDANCE: 100 $\pm 5$  OHM.

2.CONNECTOR:  
 P0: Mini SAS 4x CABLE PLUG - 26CKT CONNECTOR (SFF-8088)  
 (1) P.C.B: 4 LAYERS, GOLD PLATING ON CONTACT PADS.  
 (2) LATCH: STAINLESS STEEL  
 (3) BACKSHELL: ZINC DIE CASTING HOOD/ NICKEL PLATING  
 (4) WITH EXTERNAL UNIVERSAL KEY  
 P1,P2: Mini SAS HD 4x CABLE PLUG (SFF-8644)  
 (1) P.C.B: 4 LAYERS, GOLD PLATING ON CONTACT PADS, WITHOUT CARBON  
 (P/N: MPCB-040113LF REV.A / SPCB-040114A)  
 (2) LATCH: STAINLESS STEEL  
 (3) BACKSHELL- ZINC DIE CASTING HOOD/ NICKEL PLATING  
 (4) PULL TAB: NYLON UL94V-0, COLOR: BLUE.  
 (5) EMI SPRING SHIELDING  
 3.TWO-WIRED SERIAL MEMORY: ATMEL AT24C02B EEPROM (256 BYTES).



DESC.	Mini SAS 4x/Mini SAS HD 4x*2 CABLE ASS'Y	APPROVED	CHECKED	DESIGNED	TOLERANCE	SCALE	*	UNIT	mm	
P/N	B-4369	CUSTOMER P/N	SA-88-4444L-1M-S2	Sino		DATE	03/14/'13	DWG NO:	DWG\B\4369	

1	2	3	4	5	6	7	8	9
---	---	---	---	---	---	---	---	---

1	2	3	4	5	6	7	8	9
REV.	REMARK	DATE	SIGN.					

### WIRING DIAGRAM

HIGH SPEED SIGNAL			
P0(Mini SAS 4x Plug)		Mini SAS HD 4x Plug	
PIN	SIGNAL	PAD	SIGNAL
A2	RX0+	D4	TX0+
A3	RX0-	D5	TX0-
B2	TX0+	B4	RX0+
B3	TX0-	B5	RX0-
A5	RX1+	C4	TX1+
A6	RX1-	C5	TX1-
B5	TX1+	A4	RX1+
B6	TX1-	A5	RX1-
A8	RX2+	D4	TX0+
A9	RX2-	D5	TX0-
B8	TX2+	B4	RX0+
B9	TX2-	B5	RX0-
A11	RX3+	C4	TX1+
A12	RX3-	C5	TX1-
B11	TX3+	A4	RX1+
B12	TX3-	A5	RX1-
GND GROUP	GND	GND GROUP	GND
GND GROUP: A1,A4,A7,A10,A13, B1,B4,B7,B10,B13.		P1,P2 GND GROUP: A3,A6,A9,B3,B6,B9, C3,C6,C9,D3,D6,D9.	
P0 Connector Shell		P1,P2 Connector Shell	

LOW SPEED SIGNAL & POWER	
P1,P2(Mini SAS HD 4x Plug)	
PAD	SIGNAL
A1	Reserved
A2	IntL
B1	Vact
B2	ModPrsL
C1	SCL
C2	SDA
D1	Vact
D2	Vman



DESC.	Mini SAS 4x/Mini SAS HD 4x*2 CABLE ASS'Y	APPROVED	CHECKED	DESIGNED	TOLERANCE	SCALE	*	UNIT	mm	
P/N	B-4369			Sino	*	DATE	03/14/'13	DWG NO:	DWG\B\4369	