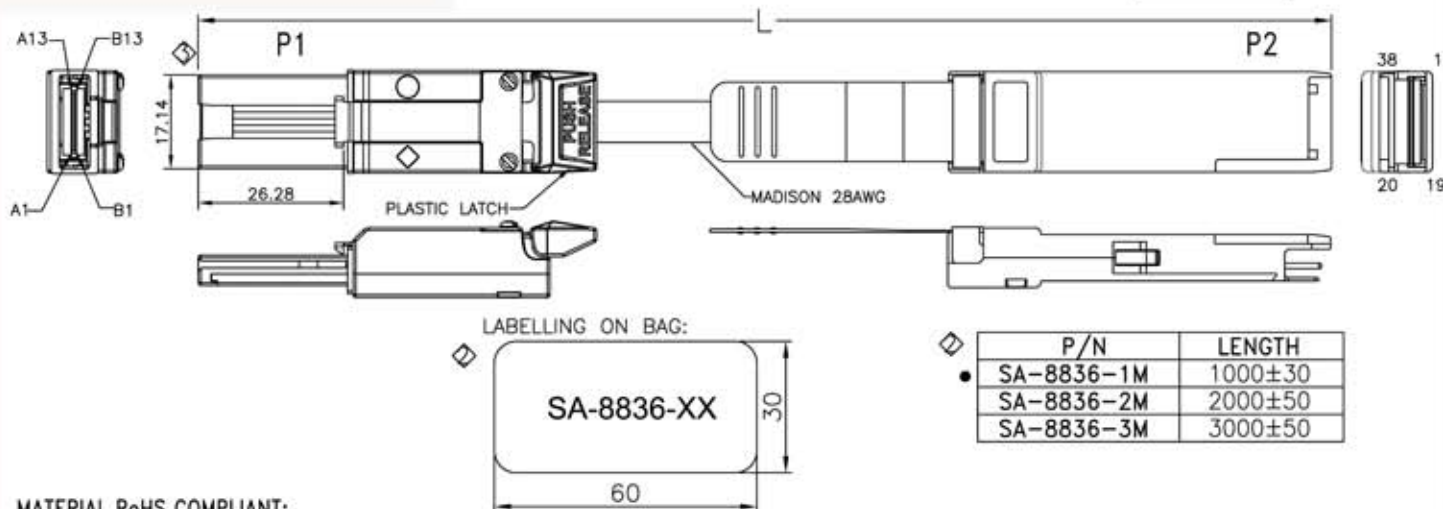


RoHS



MATERIAL RoHS COMPLIANT:

1. CABLE:

CONDUCTOR: 28 AWG SOLID SILVER PLATED COPPER, 0.320mm DIAMETER.
 INSULATION: 0.3048 mm OF FOAM POLYOLEFIN, 0.939 mm DIAMETER, COLOR-NATURAL.
 PAIR: 2 SINGLES LAID FLAT AND PARALLEL.
 PAIR DRAIN WIRE: 30 AWG SOLID SILVER PLATED COPPER.
 PAIR SHIELD: ALUMINUM/POLYESTER TAPE, ALUMINUM SIDE FACING IN, 25% OVERLAP.
 INNER SHIELD: ALUMINUM/POLYESTER TAPE, ALUMINUM SIDE FACING OUT, 25% OVERLAP.
 OUTER SHIELD: 38AWG TIN PLATED COPPER BRAID, 85% COVERAGE.
 DIAMETER: 7.874 mm NOMINAL.
 PRINT LEGEND: *MADISON CABLE CORP.TYPE CL2 75°C 28AWG (UL) TurboTwin™ LEAD-FREE™
 DIFFERENTIAL IMPEDANCE: 100±5 OHMS @TDR
 UL LISTING: TYPE CL2 AS SPECIFIED IN ARTICLE 725 OF THE NATIONAL ELECTRICAL CODE.

2. CONNECTOR:

- ◇ P1:Mini SAS 4X CABLE PLUG - 26CKT CONNECTOR
 - (1) P.C.B: FR4, 4 LAYERS
 - (2) LATCH: STAINLESS STEEL
 - (3) BACKSHELL- ZINC DIE CASTING HOOD/ NICKEL PLATING
 - (4) WITH EXTERNAL UNIVERSAL KEY
- P2: 4x-Pluggable-QSFP(SFF-8436)
 - (1) P.C.B: FR4, 4 LAYERS.(SPCB-040068A, AC COUPLING)◇
 - (2) LATCH: STAINLESS STEEL WITH PULL TAB.
 - (3) BACKSHELL: ZINC DIE CASTING HOOD/NICKEL PLATING.
- 3. FOR SAS 3.0 Gbps.
- 4. TWO-WIRED SERIAL MEMORY: ATMEL AT24C02B EEPROM (256 BYTES), DIGITAL MONITORING & CONTROL FUNCTION AND MEMORY PAGE NOT SUPPORTED.



P/N: SA-8836-XX

Desc. : MiniSAS (SFF-8088)- QSFP (SFF-8436)