

MATERIAL RoHS COMPLIANT:

CABLE:

ELECTRICAL:

DIFFERENTIAL IMPEDANCE TDR: 100+/-5 OHMS

CAPACITANCE: 47 pF/m nom.

SKEW(within the pair-3m sample): 8 ps/m max

COMPONENT:

CONDUCTOR: 30 AWG SOLID TINNED COPPER

.010" NOM. OD

APPROVALS:

UL AWM VW-1 80°C 30V, RoHS COMPLIANT, HITACHI

CONNECTOR:

P0: Mini SAS 4x CABLE PLUG - 26CKT CONNECTOR (SFF-8086)

(1) P.C.B: FR4, 4 LAYERS

(2) LATCH: STAINLESS STEEL

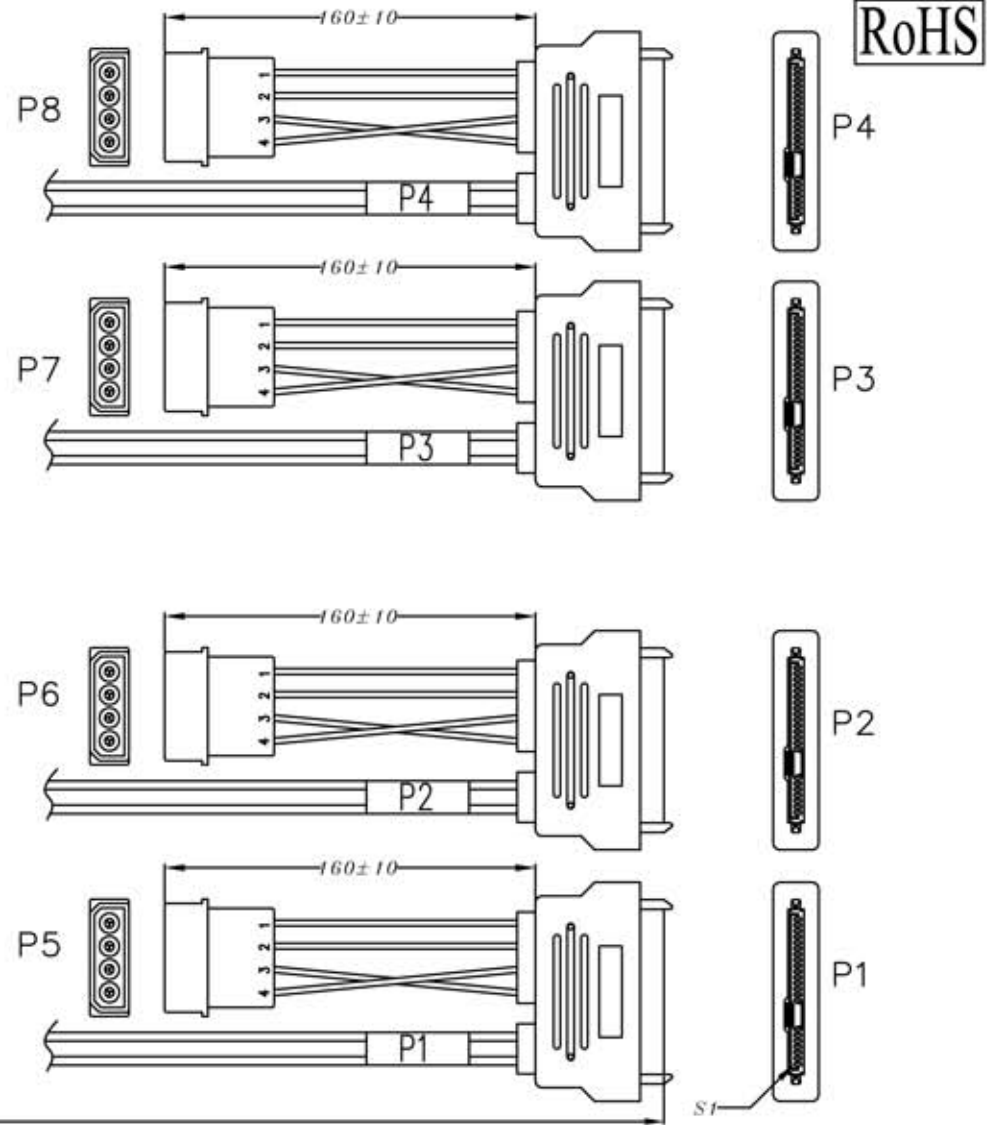
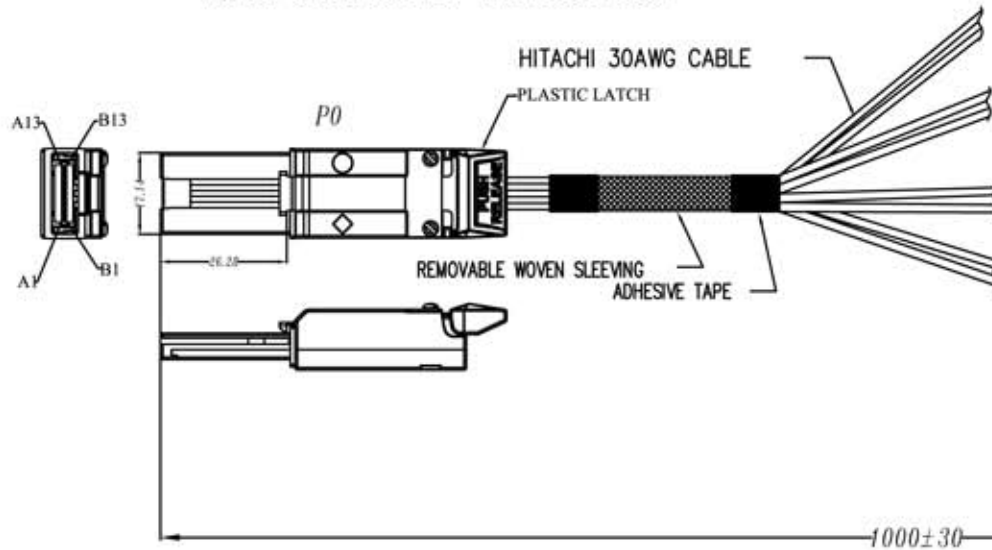
(3) BACKSHELL- ZINC DIE CASTING HOOD/ NICKEL PLATING

(4) WITH EXTERNAL UNIVERSAL KEY

P1~P4 SAS DRIVE CABLE RECEPTACLE (SFF-8482)

P5~P8 4PIN POWER MALE CONNECTOR

POWER CABLE: UL 1007 22AWG 80°C 300V



P/N: SA-8882-XX

Desc. : MiniSAS (SFF-8088) - HDD, 4x (SFF-8482)

Drawings are property of Serial Cables, LLC and for information purposes only. Do Not Edit or Copy