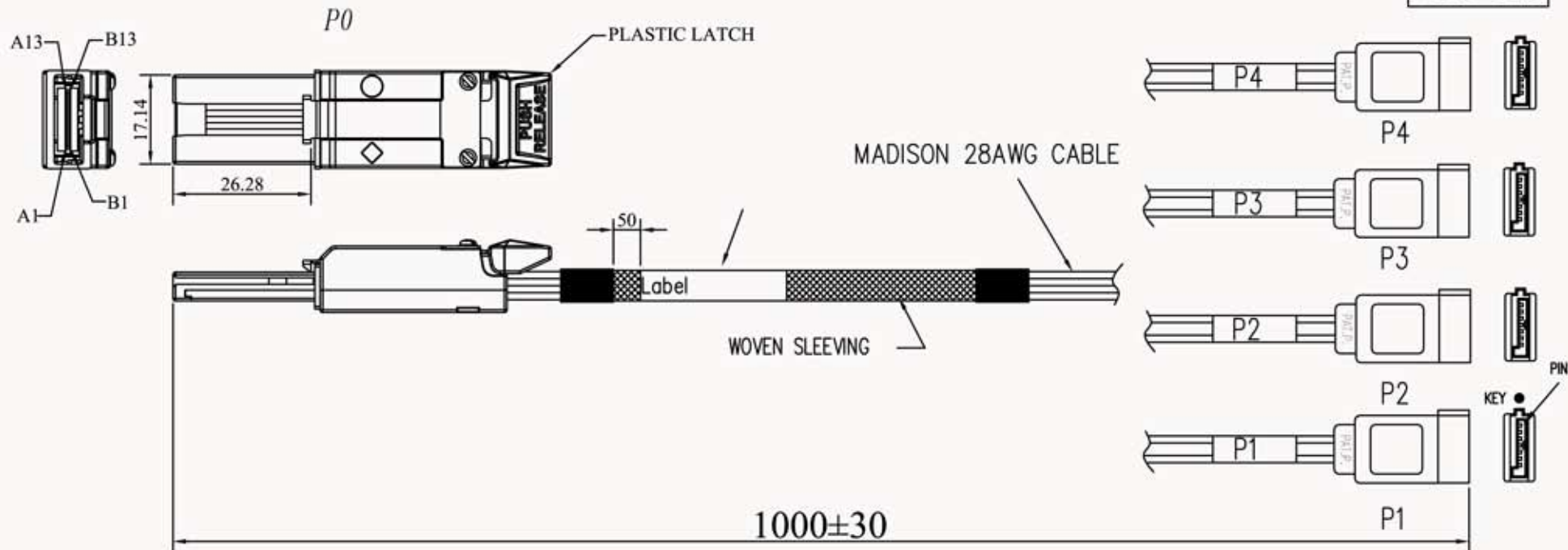


RoHS



MATERIAL RoHS COMPLIANT:

CABLE:

ELECTRICAL:

IMPEDANCE: 100±5 ohm(DIFFERENTIAL TDR)

CAPACITANCE: 14pF/ ft NOMINAL

TIME DELAY: 1.35ns/ ft NOMINAL

SKREW(WITHIN PAIR): 120ps/ 7M MAXIMUM

ATTENUATION (NOMINAL): 10 dB/ 7M MAXIMUM @1.25GHz

APPROVALS:

UL AWM VW-1 80°C 30V, RoHS COMPLIANT

CONNECTOR:

P1~P4: SATA INTERNAL CABLE RECEPTACLE WITHOUT METAL SHELL

P0: Mini SAS 4x CABLE PLUG – 26CKT CONNECTOR (SFF-8088)

(1) P.C.B: FR4, 4 LAYERS

(2) LATCH: STAINLESS STEEL

(3) BACKSHELL- ZINC DIE CASTING HOOD/ NICKEL PLATING

(4) WITH EXTERNAL UNIVERSAL KEY.



P/N: SA-F88S7P-XX Desc. : MiniSAS (SFF-8088) - 7 Pin SATA (4x) braided

Drawings are property of Serial Cables, LLC and for information purposes only. Do Not Edit or Copy