

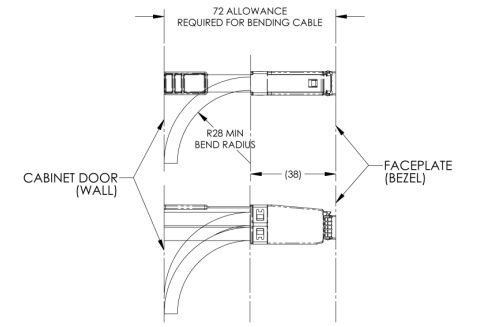
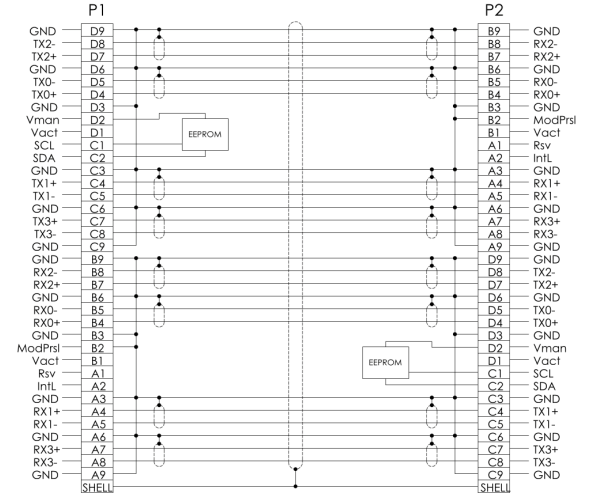
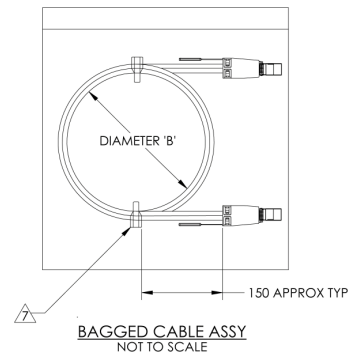
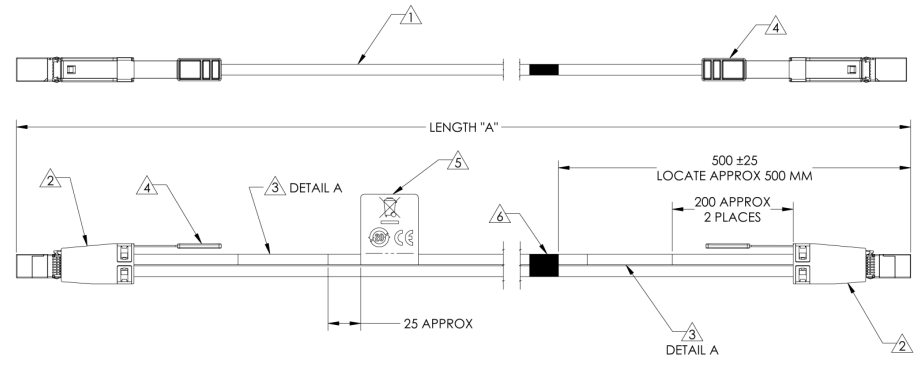
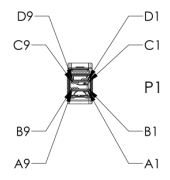
SCR#	LTR	DESCRIPTION	DATE	APPR
DDYR-AMLJXX-VER01	A	NEW RELEASE	5/22/2017	DC

TABLE 1

	LENGTH "A"	DIAMETER "B"
NBCCEF-0001	1000 ±25	7.0" ±1.0"
NBCCEF-0002	2000 ±50	7.0" ±1.0"

TABLE 2

ITEM No.	DESCRIPTION
1	30 AWG, 4-PR. PVC JKT, AWM STYLE 20276, 80°C, VW1
2	PLUG, HDMSAS - REFERENCE SFF-8644
3	LABEL, WRAPPED - AHSP P/N & REV. DATE CODE, COUNTRY OF ORIGIN AND SERIAL NUMBER
4	LANYARD, HDMSAS, BLUE, UL 94 V-0
5	LABEL, FLAGGED - RoHS2
6	TAPE, ELECTRICAL
7	VELCRO STRAP



MIN BEND ALLOWANCE FROM FACEPLATE

10. UL LABEL MUST BE ON SHIPPING CARTON PER SUBJECT 764 OF THE UL COMPONENT WIRING HARNESS (ZPFW2) FILE #E86140. CSA LABEL MUST BE ON SHIPPING CARTON.
 9. COIL AND BAG CABLE ASSEMBLY APPROXIMATELY AS SHOWN.
 8. PACKAGE COMPLETED ASSEMBLY IN AN APPROPRIATELY SIZED ESD BAG.
 7. PULL TAB COLOR - SEE TABLE 2.
 6. CABLE ASSEMBLIES MUST MEET SHIELDING EFFECTIVENESS REQUIREMENTS OF 35dB MINIMUM FROM 1-10GHz AND 20dB MINIMUM FROM 10-18GHz.
 5. CABLE ASSEMBLIES, COMPONENTS AND SUB-COMPONENTS SHALL BE COMPLIANT TO EU DIRECTIVE 2011/65/EU-ROHS2.
 4. CABLE ASSEMBLIES SHALL BE COMPLIANT TO SAS-4.0 SPECIFICATION AT MINIMUM.
 3. CABLE ASSEMBLIES SHALL BE TESTED
 2. CABLE ASSEMBLIES, COMPONENTS, SUB-COMPONENTS, MATERIALS AND MFG PROCESSES MUST MEET ALL MFG SPECIFICATIONS.
 1. THIS DRAWING IS RESERVED
- NOTES: UNLESS OTHERWISE SPECIFIED



INTERPRET PER ANSI Y14.5
CODE IDENT 31413

TOLERANCES	DWN	5/16/2017	DC
.00 ± 0.010	CHK	5/16/2017	DD
.000 ± .003	APVD	5/16/2017	EM
.0000 ± 0.0001			
ANGLES ± 1.0°			

UNLESS OTHERWISE SPECIFIED
DIMENSIONS ARE IN MILLIMETERS

CUSTOMER USE DRAWING	PART NO.	SEE TABLE 1	REV	N/A
	DRAWING NO.	C-NBCCEF-0099	REV	A
SIZE	D	SCALE	1:1	Sheet 1 OF 1

D
C
B
A
C-NBCCEF-0099