

The marking on this product doesn't contain environmental hazardous materials per directive 2011/65/EU for RoHS compliance.

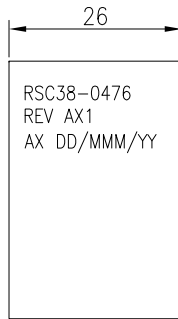
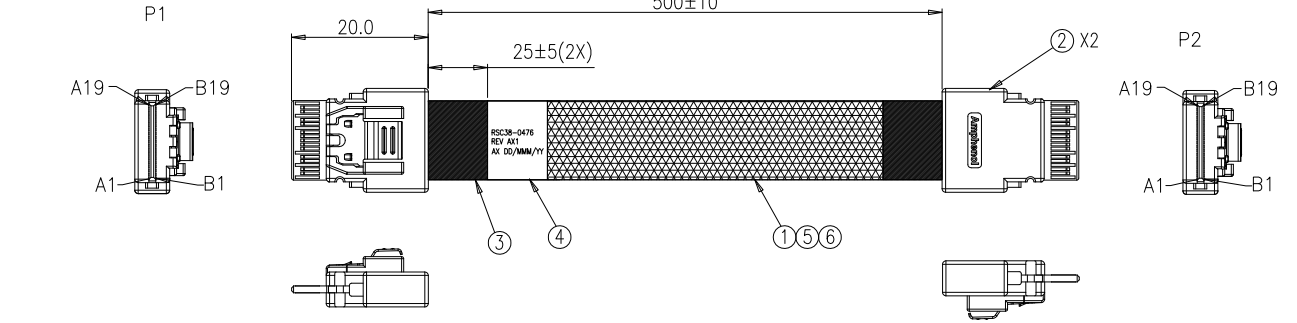
REVISIONS

ECN NO.	REV.	DESCRIPTIONS	CHECKED	APPROVED	DATE
REV.	AX1	INITIAL RELEASE	KOCHI	DAVID	11/07/2016

- NOTE:
 1. ELECTRICAL AND MECHANICAL PERFORMANCE SHALL MEET THE SAS4.0 INDUSTRIAL STANDARD EXCEPT IMPEDANCE.
 除阻抗外, 电气和机械特性遵循SAS4.0工业标准。
 2. THE CABLE ASSEMBLY SHALL BE MEET RoHS2.0 COMPLIANT.
 该产品通过RoHS2.0认证。

P1		P2	
GND	B19	A19	GND
TX3-	B18	A18	RX3-
TX3+	B17	A17	RX3+
GND	B16	A16	GND
TX2-	B15	A15	RX2-
TX2+	B14	A14	RX2+
GND	B13	A13	GND
SB6	B12	A12	SB6
SB2	B11	A11	SB2
SB8	B10	A10	SB8
SB1	B9	A9	SB1
SB0	B8	A8	SB0
GND	B7	A7	GND
TX1-	B6	A6	RX1-
TX1+	B5	A5	RX1+
GND	B4	A4	GND
TX0-	B3	A3	RX0-
TX0+	B2	A2	RX0+
GND	B1	A1	GND
GND	A19	B19	GND
RX3-	A18	B18	TX3-
RX3+	A17	B17	TX3+
GND	A16	B16	GND
RX2-	A15	B15	TX2-
RX2+	A14	B14	TX2+
GND	A13	B13	GND
SB5	A12	B12	SB5
SB4	A11	B11	SB4
SB9	A10	B10	SB9
SB3	A9	B9	SB3
SB7	A8	B8	SB7
GND	A7	B7	GND
RX1-	A6	B6	TX1-
RX1+	A5	B5	TX1+
GND	A4	B4	GND
RX0-	A3	B3	TX0-
RX0+	A2	B2	TX0+
GND	A1	B1	GND

WIRE TABLE



LABEL DETAIL

6	H03302320X	WIRE,32AWG,UL3302,7/0.08,HF,VW-1,NO MARKING	A/R
5	HMTBD00501	EXPANDO TUBE:OD=5MM,BLACK,VW-1,HF	A/R
4	HMLSBS57262	LABEL:57*26MM,BLANK,WHT,R2,HF	1
3	HMMTP00012	ACETATE TAPE:W=1INCH,HF	A/R
2	AST8654-0038-01	4X SLIMLINE PLUG STR CONNECTOR	2
1	HWSS300076	SAS CBL:UL20744,30#SCC/1P+2D,VW-1,85Ω,HF,24G,YEL	A/R
ITEM	P/N	DESCRIPTION	QTY

GENERAL TOLERANCES

.X:	± 0.5	DRAWN:	HARVEY HUANG	DATE:	11/07/2016
.XX:	± 0.3	CHECKED:	KOCHI HU	DATE:	11/07/2016
.XXX:	± 0.01	APPROVED:	DAVID CHAN	DATE:	11/07/2016
ANGULAR:	± 1°				

This drawing is the property of Serial Cables and is delivered on the express condition that it is not to be disclosed, reproduced or used, in whole or in part, for manufacture or sale by anyone other than Serial Cables without its prior consent, and that no right is granted to disclose or use any information in this drawing.



TITLE:
 SC P/N:RSC38-0476
 SAS SLIMLINE 4i PLUG STR TO 4i PLUG STR CABLE ASSEMBLY

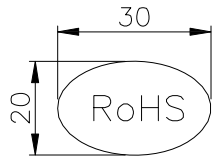
DWG. No.:	RSL38-0476	SCALE:	NONE	SHEET	1 OF 2
UNIT:	MM	SIZE:	A4	REV.:	AX1

The marking on this product doesn't contain environmental hazardous materials per directive 2011/65/EU for RoHS compliance.

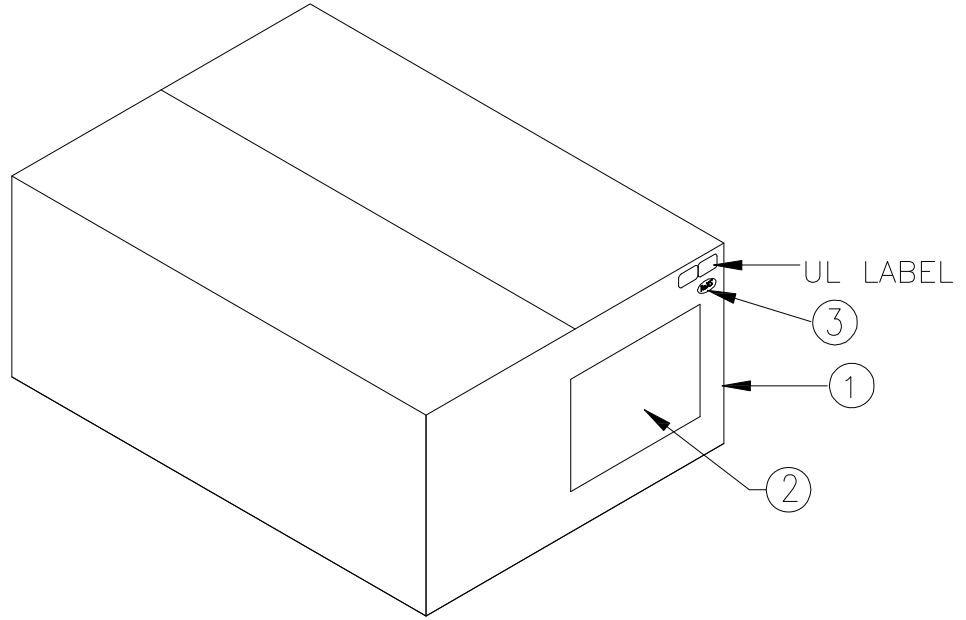
REVISIONS					
ECN NO.	REV.	DESCRIPTIONS	CHECKED	APPROVED	DATE
REL.					

LABEL 2

PN: RSC38-0476/RSL38-0476



LABEL 3



3	RMLSW30201	RoHS LABEL:30*20MM, LABEL5 INFO	1
2	RMLSB00401	LABEL3:100*40MM,WHT,BLANK,R2	1
1	RMBCTN0019	CARTON:590*240*200MM E TYPE	1
ITEM	PART NUMBER	DESCRIPTION	Q'TY

GENERAL TOLERANCES

.X:	± 0.5
.XX:	± 0.3
.XXX:	± 0.01
ANGULAR:	± 1°

This drawing is the property of Serial Cables and is delivered on the express condition that it is not to be disclosed, reproduced or used, in whole or in part, for manufacture or sale by anyone other than Serial Cables without its prior consent, and that no right is granted to disclose or use any information in this drawing.

DRAWN:	HARVEY HUANG	DATE:	11/07/2016
CHECKED:	KOCHI HU	DATE:	11/07/2016
APPROVED:	DAVID CHAN	DATE:	11/07/2016



TITLE:		
SC P/N:RSC38-0476 SAS SLIMLINE 4i PLUG STR TO 4i PLUG STR CABLE ASSEMBLY		
DWG. No.: RSL38-0476		
	SCALE: NONE	SHEET 2 OF 2
	UNIT: MM	SIZE: A4
	REV.: AX1	