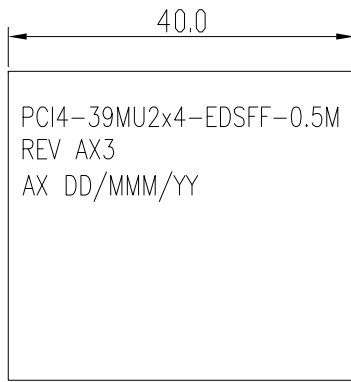
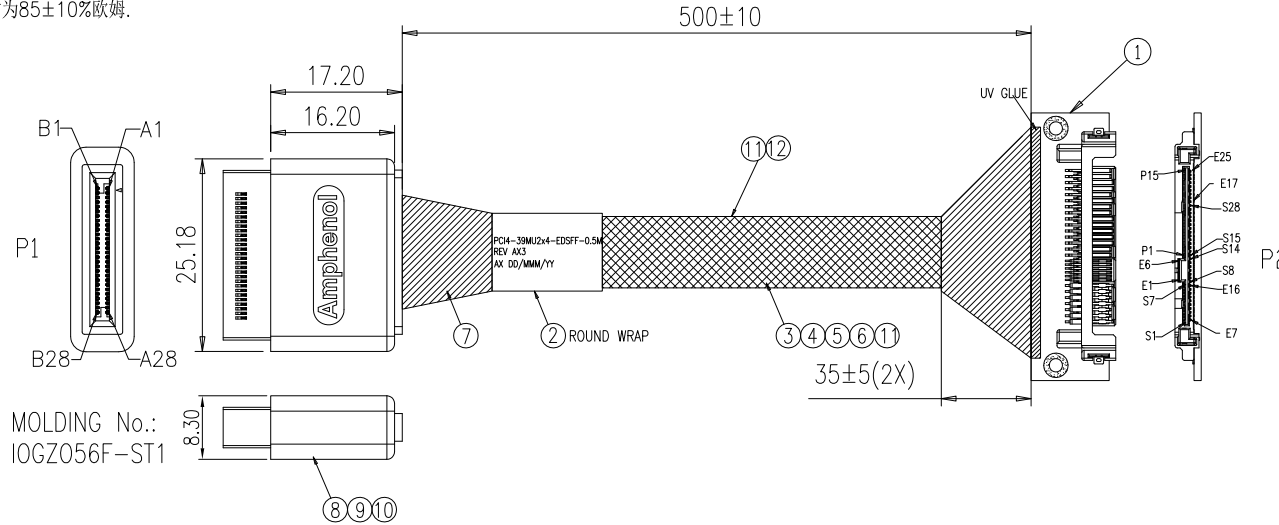


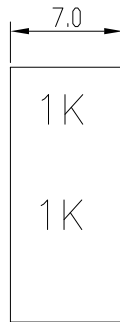
The marking on this product doesn't contain environmental hazardous materials per directive 2011/65/EU for RoHS compliance.

ECN NO.	REV.	DESCRIPTIONS	CHECKED	APPROVED	DATE
REL.	AX1	INITIAL RELEASE	FISK	KASUN	01/16/2020
	AX2	CHANGE PIN DEFINE	FISK	KASUN	02/03/2020
	AX3	CHANGE P2 TO MALE PLUG	FISK	KASUN	06/26/2020

- NOTE:
- 1.THE CABLE ASSEMBLY SHOULD BE RoHS2.0 COMPLIANT.
该产品通过RoHS2.0认证.
 - 2.ELECTRICAL PERFORMANCE SHOULD MEET THE PCIE4.0 CABLE SPEC,
电气特性遵循PCIE4.0规范.
 - 3.THE CABLE ASSEMBLY SHALL MEET BELOW IMPEDANCE REQUIREMENT: TERMINATION AREA: 85±15% OHMS,
CABLE ABSOLUTE AREA: 85±10% OHMS.
该产品满足下面阻抗特性: 接触区域85±15%欧姆, 线材为85±10%欧姆.
 4. THE LABEL STICK ON (P1)A9-E3(P2)
标签贴在 (P1)A9-E3(P2)上.



LABEL DETAIL



STICK ON A9(P1) TO E3(P2)
旗贴到内侧距离250

11	HMLSB07301	LABEL:7*30MM,WHT	1
10	HMRPE45NT1	PE:LOW DENSITY,CLEAR,HF	A/R
9	RMRPV45092	PVC:45P,V0,BLK,Cd300PPM,N6P	A/R
8	HEPCBA0371	SFF 1002 1C PCBA (HEPCB56003 + HCG256F001)	1
7	HMMTP000XX	ACETATE TAPE:HF	A/R
6	HMTBD07001	EXPANDO TUB:7.0MM,BLK,SINGLE(OD7~25MM),R2,HF	A/R
5	H0330230CX	WIRE_30AWG,UL3302,1/0.254,0D0.55,FR-XLPE,VW-1,NO MARKING,HF	A/R
4	HWM300068	RD CBL:30#2C+AM+HM,WHT/GRN,100ohm,VW-1,HF	A/R
3	RWSS300158	SAS CBL:30#2C+2D+HAM,85ohm,PP,BLU,VW-1,R2	A/R
2	HMLSB40501	LABEL:Synthetic Paper,40*50MM,WHT,BLANK,HF	1
1	REPCBA0495	PCBA:HEPCB68049+RCPE68F016	1
ITEM	P/N	DESCRIPTION	QTY

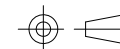
This drawing is the property of Serial Cables and is delivered on the express condition that it is not to be disclosed, reproduced or used, in whole or in part, for manufacture or sale by anyone other than Serial Cables without its prior consent, and that no right is granted to disclose or use any information in this drawing.



GENERAL TOLERANCES	
.X:	± 1.50
.XX:	± 0.10
.XXX:	±
ANGULAR:	±

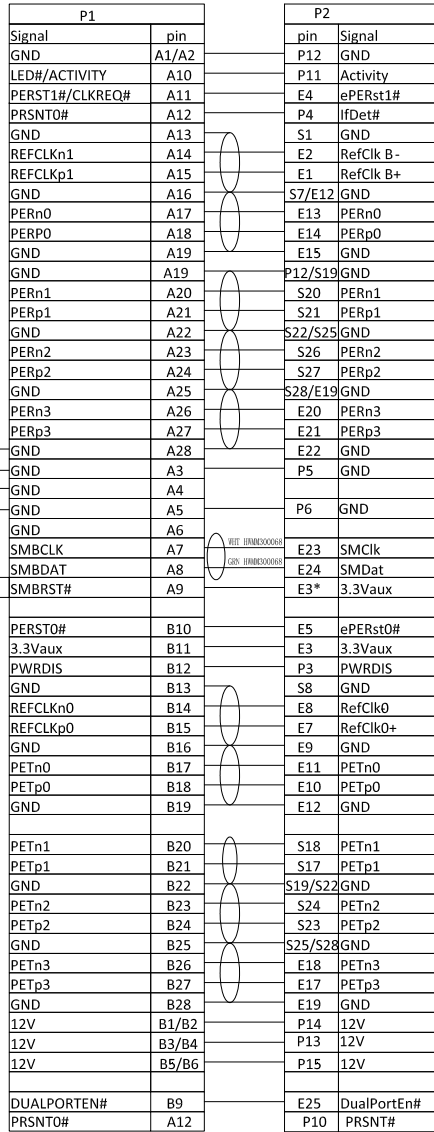
DRAWN:	MAGGIE YUAN	DATE:	06/26/2020
CHECKED:	FISK ZENG	DATE:	06/26/2020
APPROVED:	KASUN LI	DATE:	06/26/2020

TITLE:	
GenZ 1C FEMALE PLUG TO SFF-8639 FEMALE CABLE ASSEMBLY	
DWG. No.: RGZ56-0120	
SCALE: NONE	SHEET 1 OF 3
UNIT: MM	REV.: AX3




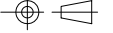
The marking on this product doesn't contain environmental hazardous materials per directive 2011/65/EU for RoHS compliance.

WIRE DIAGRAM



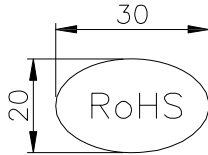
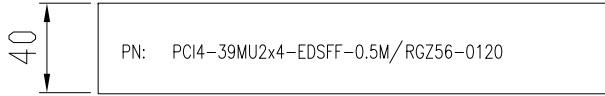
*MEANS DOUBLE SOLDER

ECN NO.	REV.	DESCRIPTIONS	CHECKED	APPROVED	DATE
	REL.	AX1	FIKSK	KASUN	01/16/2020
		AX2	FIKSK	KASUN	02/03/2020
		AX3	FIKSK	KASUN	06/26/2020

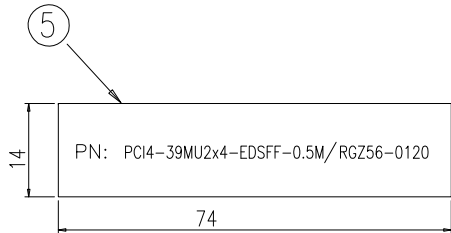
<p>GENERAL TOLERANCES</p> <table border="1"> <tr><td>.X:</td><td>± 0.5</td></tr> <tr><td>.XX:</td><td>± 0.3</td></tr> <tr><td>.XXX:</td><td>± 0.01</td></tr> <tr><td>ANGULAR:</td><td>± 1°</td></tr> </table>		.X:	± 0.5	.XX:	± 0.3	.XXX:	± 0.01	ANGULAR:	± 1°	<p>This drawing is the property of Serial Cables and is delivered on the express condition that it is not to be disclosed, reproduced or used, in whole or in part, for manufacture or sale by anyone other than Serial Cables without its prior consent, and that no right is granted to disclose or use any information in this drawing.</p>					
.X:	± 0.5														
.XX:	± 0.3														
.XXX:	± 0.01														
ANGULAR:	± 1°														
<table border="1"> <tr> <td>DRAWN:</td> <td>MAGGIE YUAN</td> <td>DATE:</td> <td>06/26/2020</td> </tr> <tr> <td>CHECKED:</td> <td>FIKSK ZENG</td> <td>DATE:</td> <td>06/26/2020</td> </tr> <tr> <td>APPROVED:</td> <td>KASUN LI</td> <td>DATE:</td> <td>06/26/2020</td> </tr> </table>	DRAWN:	MAGGIE YUAN	DATE:	06/26/2020	CHECKED:	FIKSK ZENG	DATE:	06/26/2020	APPROVED:	KASUN LI	DATE:	06/26/2020	<p>TITLE:</p> <p>GenZ 1C FEMALE PLUG TO SFF-8639 FEMALE CABLE ASSEMBLY</p> <p>DWG. No.: RGZ56-0120</p>		
DRAWN:	MAGGIE YUAN	DATE:	06/26/2020												
CHECKED:	FIKSK ZENG	DATE:	06/26/2020												
APPROVED:	KASUN LI	DATE:	06/26/2020												
			<table border="1"> <tr> <td>SCALE:</td> <td>NONE</td> <td>SHEET 2</td> <td>OF 3</td> </tr> <tr> <td>UNIT:</td> <td>MM</td> <td>SIZE:</td> <td>A4</td> </tr> <tr> <td>REV.:</td> <td>AX3</td> <td></td> <td></td> </tr> </table>	SCALE:	NONE	SHEET 2	OF 3	UNIT:	MM	SIZE:	A4	REV.:	AX3		
SCALE:	NONE	SHEET 2	OF 3												
UNIT:	MM	SIZE:	A4												
REV.:	AX3														

The marking on this product doesn't contain environmental hazardous materials per directive 2011/65/EU for RoHS compliance.

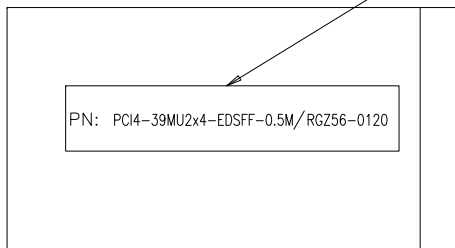
LABEL 2



LABEL 3

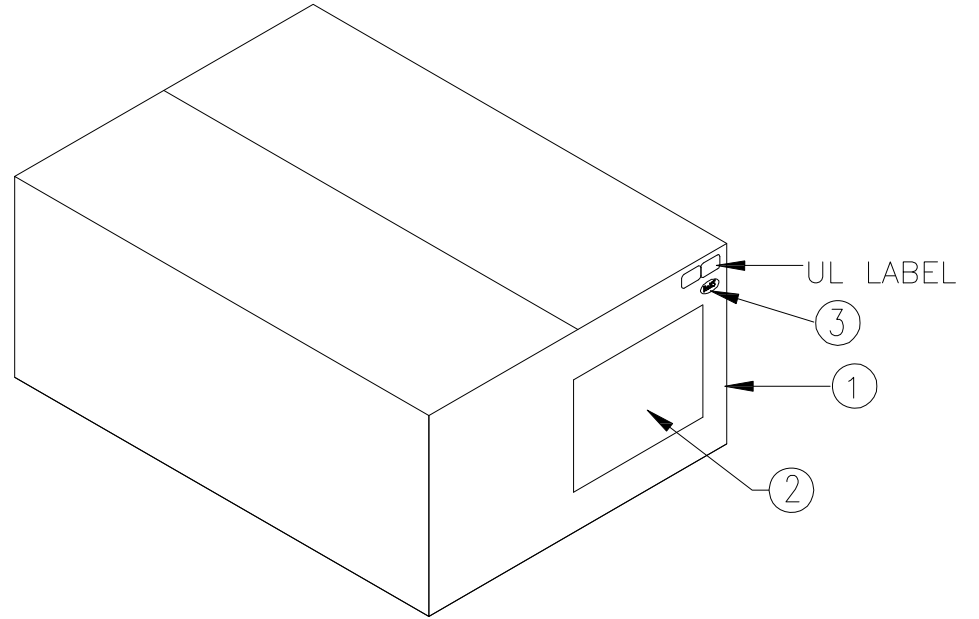


⑤ The label is stucked in the middle.



④ 1PCS PRODUCTS PUT INTO THE PE BAG

ECN NO.	REV.	DESCRIPTIONS	CHECKED	APPROVED	DATE
REL.	AX1	INITIAL RELEASE	FISK	KASUN	01/16/2020
	AX2	CHANGE PIN DEFINE	FISK	KASUN	02/03/2020
	AX3	CHANGE P2 TO MALE PLUG	FISK	KASUN	06/26/2020



5	HMLSB14741	LABEL:Synthetic Paper,14*74MM,WHT,HF	1
4	RMBZIP0012	ZIP BAG:100*340MM,T=6C	1
3	RMLSW30201	RoHS LABEL:30*20MM, LABEL5 INFO	1
2	RMLSB00401	LABEL3:100*40MM,WHT,BLANK,R2	1
1	RMBCTN0019	CARTON:590*240*200MM E TYPE	1
ITEM	PART NUMBER	DESCRIPTION	Q'TY

This drawing is the property of Serial Cables and is delivered on the express condition that it is not to be disclosed, reproduced or used, in whole or in part, for manufacture or sale by anyone other than Serial Cables without its prior consent, and that no right is granted to disclose or use any information in this drawing.



GENERAL TOLERANCES

.X:	± 0.5	DRAWN:	MAGGIE YUAN	DATE:	06/26/2020
.XX:	± 0.3	CHECKED:	FISK ZENG	DATE:	06/26/2020
.XXX:	± 0.01	APPROVED:	KASUN LI	DATE:	06/26/2020
ANGULAR:	± 1'				

TITLE:		
GenZ 1C FEMALE PLUG TO SFF-8639 FEMALE CABLE ASSEMBLY		
DWG. No.: RGZ56-0120		
	SCALE: NONE	SHEET 3 OF 3
	UNIT: MM	SIZE: A4
	REV: AX3	